

PARTS LIST

CAUTION

- The parts identified by the \triangle symbol are important for the safety . Whenever replacing these parts, be sure to use specified ones to secure the safety .
- The parts not indicated in this Parts List and those which are filled with lines --- in the Parts No. columns will not be supplied .
- P. W. Board Ass'y will not be supplied, but those which are filled with the Parts No. in the Parts No. columns will be supplied .

ABBREVIATIONS OF RESISTORS, CAPACITORS AND TOLERANCES

RESISTORS		CAPACITORS	
C R	Carbon Resistor	C CAP.	Ceramic Capacitor
F R	Fusible Resistor	E CAP.	Electrolytic Capacitor
P R	Plate Resistor	M CAP.	Mylar Capacitor
V R	Variable Resistor	HV CAP.	High Voltage Capacitor
HV R	High Voltage Resistor	MF CAP.	Metalized Film Capacitor
MF R	Metal Film Resistor	MM CAP.	Metalized Mylar Capacitor
MG R	Metal Glazed Resistor	MP CAP.	Metalized Polystyrol Capacitor
MP R	Metal Plate Resistor	PP CAP.	Polypropylene Capacitor
OM R	Metal Oxide Film Resistor	PS CAP.	Polystyrol Capacitor
CMF R	Coating Metal Film Resistor	TF CAP.	Thin Film Capacitor
UNF R	Non-Flammable Resistor	MPP CAP.	Metalized Polypropylene Capacitor
CH V R	Chip Variable Resistor	TAN. CAP.	Tantalum Capacitor
CH MG R	Chip Metal Glazed Resistor	CH C CAP.	Chip Ceramic Capacitor
COMP. R	Composition Resistor	BP E CAP.	Bi-Polar Electrolytic Capacitor
LPTC R	Linear Positive Temperature Coefficient Resistor	CH AL E CAP.	Chip Aluminum Electrolytic Capacitor
		CH AL BP CAP.	Chip Aluminum Bi-Polar Capacitor
		CH TAN. E CAP.	Chip Tantalum Electrolytic Capacitor
		CH AL BP E CAP.	Chip Tantalum Bi-Polar Electrolytic Capacitor

RESISTORS									
F	G	J	K	M	N	R	H	Z	P
±1%	±2%	±5%	±10%	±20%	±30%	+30% -10%	+50% -10%	+80% -20%	+100% 0%

CONTENTS

USING P.W. BOARD & REMOTE CONTROL UNIT	39
EXPLODED VIEW PARTS LIST	40
EXPLODED VIEW	41
PRINTED WIRING BOARD PARTS LIST (AV-32D202/AG)	
MAIN PW BOARD ASS'Y	42
CRT SOCKET PW BOARD ASS'Y	45
FRONT CONTROL PW BOARD ASS'Y	45
FRONT AV INPUT PW BOARD ASS'Y	46
AV SELECTOR PW BOARD ASS'Y	46
REMOTE CONTROL UNIT PARTS LIST (RM-C303G-1A).....	47
DIFFERENCE PARTS LIST BETWEEN AV-32D202/AG, AV-32D202/AH, AV-32D202/AM AND AV-32D202/AR ...	48
PRINTED WIRING BOARD PARTS LIST (AV-32D302/AG)	
MAIN PW BOARD ASS'Y	49
CRT SOCKET PW BOARD ASS'Y	49
FRONT CONTROL PW BOARD ASS'Y	49
FRONT AV INPUT PW BOARD ASS'Y	49
AV SELECTOR PW BOARD ASS'Y	49
REMOTE CONTROL UNIT PARTS LIST (RM-C303G-1A).....	49
DIFFERENCE PARTS LIST BETWEEN AV-32D302/AG, AV-32D302/AH, AV-32D302/AM AND AV-32D302/AR ...	50
PRINTED WIRING BOARD PARTS LIST (AV-32D502/AG)	
MAIN PW BOARD ASS'Y	51
CRT SOCKET PW BOARD ASS'Y	54
FRONT CONTROL PW BOARD ASS'Y	54
FRONT AV INPUT PW BOARD ASS'Y	54
PIP PW BOARD ASS'Y	54
AV SELECTOR PW BOARD ASS'Y	55
REMOTE CONTROL UNIT PARTS LIST (RM-C301G-2A).....	57
DIFFERENCE PARTS LIST BETWEEN AV-32D502/AG, AV-32D502/AH, AV-32D502/AM AND AV-32D502/AR ...	58
PACKING / PACKING PARTS LIST	59

USING P.W. BOARD & REMOTE CONTROL UNIT

[AV-32D202]

P.W.B ASS'Y \ Model	AV-32D202/AG	AV-32D202/AH	AV-32D202/AM	AV-32D202/AR
MAIN PW BOARD	SGC-1011A-M2	SGC-1012A-M2	SGC-1013A-M2	SGC-1014A-M2
CRT SOCKET PW BOARD	SGC-3003A-M2	SGC-3004A-M2	SGC-3005A-M2	SGC-3011A-M2
FRONT CONTROL PW BOARD	SGC-8501A-M2	←	←	←
FRONT AV INPUT PW BOARD	SGC-8601A-M2	←	←	←
AV SELECTOR PW BOARD	SGC0S002A-M2	←	←	←
REMOTE CONTROL UNIT	RM-C303G-1A	←	←	←

[AV-32D302]

P.W.B ASS'Y \ Model	AV-32D302/AG	AV-32D302/AH	AV-32D302/AM	AV-32D302/AR
MAIN PW BOARD	SGC-1011A-M2	SGC-1012A-M2	SGC-1013A-M2	SGC-1014A-M2
CRT SOCKET PW BOARD	SGC-3003A-M2	SGC-3004A-M2	SGC-3005A-M2	SGC3011A-M2
FRONT CONTROL PW BOARD	SGC-8501A-M2	←	←	←
FRONT AV INPUT PW BOARD	SGC-8601A-M2	←	←	←
AV SELECTOR PW BOARD	SGC0S002A-M2	←	←	←
REMOTE CONTROL UNIT	RM-C303G-1A	←	←	←

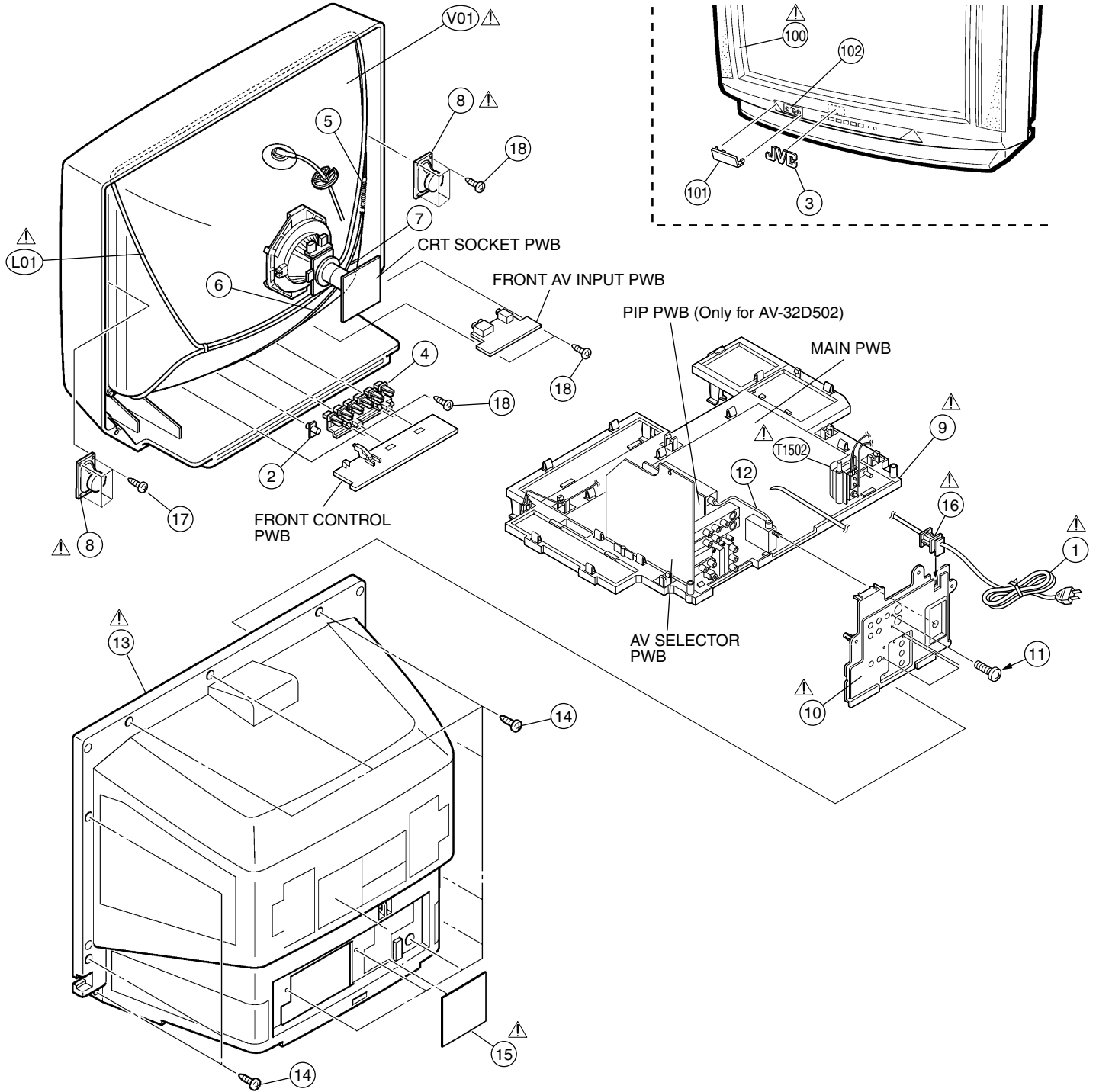
[AV-32D502]

P.W.B ASS'Y \ Model	AV-32D502/AG	AV-32D502/AH	AV-32D502/AM	AV-32D502/AR
MAIN PW BOARD	SGC-1003A-M2	SGC-1004A-M2	SGC-1005A-M2	SGC-1006A-M2
CRT SOCKET PW BOARD	SGC-3003A-M2	SGC-3004A-M2	SGC-3005A-M2	SGC-3011A-M2
FRONT CONTROL PW BOARD	SGC-8501A-M2	←	←	←
FRONT AV INPUT PW BOARD	SGC-8601A-M2	←	←	←
PIP PW BOARD	SGC0P001A-M2	←	←	←
AV SELECTOR PW BOARD	SGC0S001A-M2	←	←	←
REMOTE CONTROL UNIT	RM-C301G-2A	←	←	←

EXPLODED VIEW PARTS LIST

△ Ref.No.	Part No.	Part Name	Description	Local
△ L01	CELD066-002JA	DEG COIL	(AV-32D202 /AH & AM & AR, AV-32D302 /AH & AM & AR, AV-32D502 /AH & AM & AR)	
△ L01	QQW0086-001	DEG COIL	(AV-32D202 /AG, AV-32D302 /AG, AV-32D502 /AG)	
△ T1502	QQH0100-001	FBT	Within MAIN PWB	
△ V01	A80QCF240X14L	CRT	Inc. DY(AV-32D202/AG, AV-32D302/AG, AV-32D502/AG)	
△ V01	A80LJF30X08-G	CRT	Inc. DY(AV-32D202/AH, AV-32D302/AH, AV-32D502/AH)	
△ V01	M80JUA061X06	CRT	Inc. DY(AV-32D202/AM, AV-32D302/AM, AV-32D502/AM)	
△ V01	A80AEJ15X01	CRT	Inc. DY(AV-32D202/AR, AV-32D302/AR, AV-32D502/AR)	
△ 1	QMPD200-200-JC	POWER CORD	CN10PW Within MAIN PWB	
2	LC30191-002A-A	REMOCON LENS		
3	CM48006-007-C	JVC MARK	(Only for AV-32D302, AV-32D502)	
3	CM48006-006-C	JVC MARK	(Only for AV-32D202)	
4	LC20217-005B-A	CONTROL KNOB	(Only for AV-32D302, AV-32D502)	
4	LC20217-001C-A	CONTROL KNOB	(Only for AV-32D202)	
5	A48457-4-S	SPRING		
6	WJY0016-002A	BRAIDED WIRE		
7	WJY0013-004A	BRAIDED WIRE		
△ 8	CEBSS12D-04KJ2	SPEAKER	(x2) SP01, SP02	
△ 9	LC10883-001C-A	CHASSIS BASE		
△ 10	LC20899-001A-A	TERMINAL BOARD	(Only for AV-32D202, AV-32D302)	
△ 10	LC20899-003A-A	TERMINAL BOARD	(Only for AV-32D502)	
11	QYSBSB3010Z	TAPPING SCREW	(x4)	
12	WJX0014-002A	E-COAXIAL ASSY	(Only for AV-32D502)	
△ 13	LC10308-003A-A	REAR COVER	(AV-32D202/AH, AV-32D302/AM, AV-32D502/AM)	
△ 13	LC10308-003B-A	REAR COVER	(AV-32D202 /AG & AM & AR, AV-32D302 /AG & AH & AR, AV-32D502 /AG & AH & AR)	
14	QYSBSFG4016Z	TAPPING SCREW	(x12)	
△ 15	LC31139-001A-A	RATING LABEL	(AV-32D202/AH, AV-32D302/AM, AV-32D502/AM)	
△ 15	GQ30032-001A-A	RATING LABEL	(AV-32D202 /AG & AM & AR, AV-32D302 /AG & AH & AR, AV-32D502 /AG & AH & AR)	
△ 16	LC20106-001D-A	CORD CLAMP		
17	QYSBSB4012Z	TAPPING SCREW	(x8)	
18	QYSBSBG3010Z	TAPPING SCREW	(x5)	
△ 100	LC10641-001E-A	FRONT CABI ASSY	Inc. No.101-102 (AV-32D202/AM)	
△ 100	LC10641-001F-A	FRONT CABI ASSY	Inc. No.101-102 (AV-32D202/AG & AH & AR)	
△ 100	LC10641-005A-A	FRONT CABI ASSY	Inc. No.101-102 (AV-32D202 /AG & AH & AM, AV-32D502 /AH & AM)	
△ 100	LC10641-005B-A	FRONT CABI ASSY	Inc. No.101-102 (AV-32D302 /AR, AV-32D502 /AG & AR)	
101	LC20409-001C-A	DOOR	(AV-32D202 /AM)	
101	LC20409-001D-A	DOOR	(AV-32D202 /AG & AH & AR)	
101	LC20409-005A-A	DOOR	(AV-32D302 /AG & AH & AM, AV-32D502 /AG & AH & AM)	
101	LC20409-005B-A	DOOR	(AV-32D302 /AR, AV-32D502 /AR)	
102	CM48229-00A-C	DOOR LATCH	(AV-32D202 /AM, AV-32D302 /AG & AH & AM, AV-32D502 /AG & AH & AM)	
102	PU60109	CATCHER	(AV-32D202 /AG & /AH & /AR, AV-32D302 /AR, AV-32D502 /AR)	

EXPLODED VIEW



PRINTED WIRING BOARD PARTS LIST (AV-32D202/AG)**MAIN PW BOARD ASS'Y(SGC-1011A-M2)**

△	Symbol No.	Part No.	Part Name	Description	Local	△	Symbol No.	Part No.	Part Name	Description	Local
RESISTOR						RESISTOR					
	R1001	NRSA63J-473X	MG R	47kΩ 1/16W	J		R1511	QRE121J-220Y	C R	22Ω 1/2W	J
	R1002	NRSA63J-0R0X	MG R	0.0Ω 1/16W	J		R1512	QRE121J-681Y	C R	680Ω 1/2W	J
	R1003-04	NRSA63J-221X	MG R	220Ω 1/16W	J	△	R1523	QRJ146J-333X	C R	33kΩ 1/4W	J
	R1011	NRSA63J-820X	MG R	82Ω 1/16W	J	△	R1525	QRZ9011-470	F R	47Ω 1/2W	J
	R1012	NRSA63J-182X	MG R	1.8kΩ 1/16W	J		R1526	QRE121J-272Y	C R	2.7kΩ 1/2W	J
	R1013	NRSA63J-562X	MG R	5.6kΩ 1/16W	J		R1527-28	QRE121J-154Y	C R	150kΩ 1/2W	J
	R1014	QRE121J-101Y	C R	100Ω 1/2W	J		R1529	NRSA63J-331X	MG R	330Ω 1/16W	J
	R1015	NRSA63J-180X	MG R	18Ω 1/16W	J	△	R1531	QRJ146J-391X	C R	390Ω 1/4W	J
	R1016	NRSA63J-270X	MG R	27Ω 1/16W	J		R1532	NRSA63J-273X	MG R	27kΩ 1/16W	J
	R1018	NRSA63J-104X	MG R	100kΩ 1/16W	J		R1533-34	NRSA63J-123X	MG R	12kΩ 1/16W	J
	R1020	NRSA63J-332X	MG R	3.3kΩ 1/16W	J	△	R1535	NRVA02D-222X	MF R	2.2kΩ 1/10W	D
	R1021	NRSA63J-272X	MG R	12kΩ 1/16W	J	△	R1537	NRVA02D-752X	MF R	7.5kΩ 1/10W	D
	R1022	NRSA63J-151X	MG R	150Ω 1/16W	J		R1538	NRSA63J-333X	MG R	33kΩ 1/16W	J
	R1023	NRSA63J-101X	MG R	100Ω 1/16W	J		R1543	QRE121J-122Y	C R	1.2kΩ 1/2W	J
	R1024	NRSA63J-102X	MG R	1kΩ 1/16W	J		R1544	QRE121J-392Y	C R	3.9kΩ 1/2W	J
	R1025	NRSA63J-561X	MG R	560Ω 1/16W	J		R1545	QRE121J-822Y	C R	8.2kΩ 1/2W	J
	R1026	NRSA63J-331X	MG R	330Ω 1/16W	J		R1546	NRSA63J-331X	MG R	330Ω 1/16W	J
	R1028	NRSA63J-821X	MG R	820Ω 1/16W	J		R1547	NRSA63J-104X	MG R	100kΩ 1/16W	J
	R1038	NRSA63J-272X	MG R	2.7kΩ 1/16W	J		R1548	QRE121J-152Y	C R	1.5kΩ 1/2W	J
	R1041	NRSA63J-272X	MG R	2.7kΩ 1/16W	J		R1553	QRL039J-180	OM R	18Ω 3W	J
	R1042-43	NRSA63J-102X	MG R	1kΩ 1/16W	J		R1601-03	NRSA63J-750X	MG R	75Ω 1/16W	J
	R1047	NRSA63J-153X	MG R	15kΩ 1/16W	J		R1610-12	NRSA63J-0R0X	MG R	0.0Ω 1/16W	J
	R1048	NRSA63J-154X	MG R	150kΩ 1/16W	J		R1621	NRSA63J-222X	MG R	2.2kΩ 1/16W	J
	R1101-02	NRSA63J-101X	MG R	100Ω 1/16W	J		R1622	NRSA63J-221X	MG R	220Ω 1/16W	J
	R1111	NRSA63J-105X	MG R	1MΩ 1/16W	J		R1623	NRSA63J-222X	MG R	2.2kΩ 1/16W	J
	R1131	NRSA63J-0R0X	MG R	0.0Ω 1/16W	J		R1624	NRSA63J-221X	MG R	220Ω 1/16W	J
	R1134	NRSA63J-562X	MG R	5.6kΩ 1/16W	J		R1626-27	NRSA63J-223X	MG R	22kΩ 1/16W	J
	R1135-39	NRSA63J-102X	MG R	1kΩ 1/16W	J		R1631	NRSA63J-333X	MG R	33kΩ 1/16W	J
	R1140	NRSA63J-562X	MG R	5.6kΩ 1/16W	J		R1632	NRSA63J-223X	MG R	22kΩ 1/16W	J
	R1201	NRSA63J-333X	MG R	33kΩ 1/16W	J		R1634	NRSA63J-0R0X	MG R	0.0Ω 1/16W	J
	R1231	NRSA63J-0R0X	MG R	0.0Ω 1/16W	J		R1700-02	NRSA63J-102X	MG R	1kΩ 1/16W	J
	R1237	NRSA63J-392X	MG R	3.9kΩ 1/16W	J		R1704-05	NRSA63J-472X	MG R	4.7kΩ 1/16W	J
	R1238	NRSA63J-473X	MG R	47kΩ 1/16W	J		R1706-07	NRSA63J-103X	MG R	10kΩ 1/16W	J
	R1241	NRSA63J-332X	MG R	3.3kΩ 1/16W	J		R1708-09	NRSA63J-101X	MG R	100Ω 1/16W	J
	R1243	NRSA63J-152X	MG R	1.5kΩ 1/16W	J		R1715	NRSA63J-103X	MG R	10kΩ 1/16W	J
	R1281	NRSA63J-182X	MG R	1.8kΩ 1/16W	J		R1721-22	NRSA63J-102X	MG R	1kΩ 1/16W	J
	R1282	NRSA63J-392X	MG R	3.9kΩ 1/16W	J		R1724	NRSA63J-102X	MG R	1kΩ 1/16W	J
	R1283	NRSA63J-681X	MG R	680Ω 1/16W	J		R1726	NRSA63J-102X	MG R	1kΩ 1/16W	J
	R1286	NRSA63J-472X	MG R	4.7kΩ 1/16W	J		R1728	NRSA63J-102X	MG R	1kΩ 1/16W	J
	R1287	NRSA63J-101X	MG R	100Ω 1/16W	J		R1729	NRSA63J-223X	MG R	22kΩ 1/16W	J
	R1288	NRSA02J-471X	MG R	470Ω 1/10W	J		R1731-32	NRSA63J-101X	MG R	100Ω 1/16W	J
	R1289	NRSA63J-154X	MG R	150kΩ 1/16W	J		R1733-34	NRSA63J-562X	MG R	5.6kΩ 1/16W	J
	R1290	NRSA02J-561X	MG R	560Ω 1/10W	J		R1737	NRSA63J-222X	MG R	2.2kΩ 1/16W	J
	R1292	NRSA63J-124X	MG R	120kΩ 1/16W	J		R1738	NRSA63J-102X	MG R	1kΩ 1/16W	J
	R1293	NRSA63J-224X	MG R	220kΩ 1/16W	J		R1739	NRSA63J-272X	MG R	2.7kΩ 1/16W	J
	R1294	NRSA63J-101X	MG R	100Ω 1/16W	J		R1740	NRSA63J-103X	MG R	10kΩ 1/16W	J
	R1295	NRSA63J-222X	MG R	2.2kΩ 1/16W	J		R1741	NRSA63J-0R0X	MG R	0.0Ω 1/16W	J
	R1301-03	NRSA63J-222X	MG R	2.2kΩ 1/16W	J		R1742-44	NRSA63J-103X	MG R	10kΩ 1/16W	J
	R1304-06	NRSA63J-101X	MG R	100Ω 1/16W	J		R1749-51	NRSA63J-222X	MG R	2.2kΩ 1/16W	J
	R1354-55	NRSA63J-0R0X	MG R	0.0Ω 1/16W	J		R1752	NRSA63J-102X	MG R	1kΩ 1/16W	J
	R1356	NRSA63J-123X	MG R	12kΩ 1/16W	J		R1753	NRSA63J-0R0X	MG R	0.0Ω 1/16W	J
	R1359	NRSA63J-103X	MG R	10kΩ 1/16W	J		R1754	NRSA63J-102X	MG R	1kΩ 1/16W	J
	R1360	NRSA63J-0R0X	MG R	0.0Ω 1/16W	J		R1755	NRSA63J-153X	MG R	15kΩ 1/16W	J
	R1421	NRSA63J-822X	MG R	8.2kΩ 1/16W	J		R1756	NRSA63J-103X	MG R	10kΩ 1/16W	J
	R1423-24	NRSA63J-393X	MG R	39kΩ 1/16W	J		R1763	NRSA63J-103X	MG R	10kΩ 1/16W	J
	R1426	NRSA63J-183X	MG R	18kΩ 1/16W	J		R1764-68	NRSA63J-221X	MG R	220Ω 1/16W	J
	R1427	QRT029J-1R5	MF R	1.5Ω 2W	J		R1769	NRSA63J-682X	MG R	6.8kΩ 1/16W	J
	R1429	NRSA63J-272X	MG R	2.7kΩ 1/16W	J		R1772	NRSA63J-103X	MG R	10kΩ 1/16W	J
	R1430	NRSA63J-0R0X	MG R	0.0Ω 1/16W	J		R1775	NRSA63J-473X	MG R	47kΩ 1/16W	J
	R1431	NRSA63J-152X	MG R	1.5kΩ 1/16W	J		R1776	NRSA63J-103X	MG R	10kΩ 1/16W	J
	R1432	NRSA63J-101X	MG R	100Ω 1/16W	J		R1793-95	NRSA63J-331X	MG R	330Ω 1/16W	J
	R1433	NRSA63J-681X	MG R	680Ω 1/16W	J		R1798-99	NRSA63J-103X	MG R	10kΩ 1/16W	J
	R1434	QRL029J-181	OM R	180Ω 2W	J		R1800	NRSA63J-102X	MG R	1kΩ 1/16W	J
	R1435	QRE121J-102Y	C R	1kΩ 1/2W	J		R1801-04	NRSA63J-0R0X	MG R	0.0Ω 1/16W	J
	R1441-42	NRSA63J-0R0X	MG R	0.0Ω 1/16W	J		R1806	NRSA63J-0R0X	MG R	0.0Ω 1/16W	J
	R1444	NRSA63J-183X	MG R	18kΩ 1/16W	J		R1807	NRSA63J-222X	MG R	2.2kΩ 1/16W	J
	R1445	NRSA63J-103X	MG R	10kΩ 1/16W	J		R1810	NRSA63J-0R0X	MG R	0.0Ω 1/16W	J
	R1501	NRSA63J-0R0X	MG R	0.0Ω 1/16W	J		R1811	NRSA63J-473X	MG R	47kΩ 1/16W	J
	R1502	NRSA63J-271X	MG R	270Ω 1/16W	J		R1812	NRSA63J-102X	MG R	1kΩ 1/16W	J
	R1503	QRE121J-103Y	C R	10kΩ 1/2W	J		R1814	NRSA63J-104X	MG R	100kΩ 1/16W	J
	R1504	QRL039J-102	OM R	1kΩ 3W	J		R1815	NRSA63J-154X	MG R	150kΩ 1/16W	J
	R1505	QRL039J-821	OM R	820Ω 3W	J		R1816	NRSA63J-0R0X	MG R	0.0Ω 1/16W	J

△	Symbol No.	Part No.	Part Name	Description	Local	△	Symbol No.	Part No.	Part Name	Description	Local	
RESISTOR						CAPACITOR						
	R1817	NRSA63J-104X	MG R	100kΩ 1/16W J			C1202	QETN1HM-224Z	E CAP.	0.22μF 50V M		
	R1818	NRSA63J-0R0X	MG R	0.0Ω 1/16W J			C1203	NCB31HK-222X	C CAP.	2200pF 50V K		
	R1821	NRSA63J-104X	MG R	100kΩ 1/16W J			C1233	NDC31HJ-560X	C CAP.	56pF 50V J		
	R1822	NRSA63J-0R0X	MG R	0.0Ω 1/16W J			C1237	NCB31HK-103X	C CAP.	0.01μF 50V K		
	R1824	NRSA63J-103X	MG R	10kΩ 1/16W J			C1281	QFV71HJ-474Z	MF CAP.	0.47μF 50V J		
	R1827	NRSA63J-102X	MG R	1kΩ 1/16W J			C1282	QETN1CM-227Z	E CAP.	220μF 16V M		
	R1856	QRX039J-6R8	MF R	6.8Ω 3W J			C1283	NCB31HK-103X	C CAP.	0.01μF 50V K		
△	R1857	QRL029J-270	OM R	27Ω 2W J			C1284	QETN1HM-225Z	E CAP.	2.2μF 50V M		
△	R1858	QRL029J-470	OM R	47Ω 2W J			C1285	NCB31HK-103X	C CAP.	0.01μF 50V K		
△	R1901	QRF074K-R47	UNF R	0.47Ω 7W K			C1286	QETN1HM-106Z	E CAP.	10μF 50V M		
△	R1909	QRG01GJ-470	OM R	47Ω 1W J			C1287	QETN1CM-107Z	E CAP.	100μF 16V M		
	R1911	QRE121J-223Y	C R	22kΩ 1/2W J			C1288	NCB31HK-103X	C CAP.	0.01μF 50V K		
	R1912-13	QRT029J-R22	MF R	0.22Ω 2W J			C1352	QETN1CM-336Z	E CAP.	33pF 16V M		
	R1914	QRK126J-681X	C R	680Ω 1/2W J			C1354	QFV71HJ-154Z	MF CAP.	0.15μF 50V J		
	R1915	QRE121J-6R8Y	C R	6.8Ω 1/2W J			C1391	QETN1CM-107Z	E CAP.	100μF 16V M		
△	R1917	QRK126J-332X	C R	3.3kΩ 1/2W J			C1392	NCB31HK-103X	C CAP.	0.01μF 50V K		
	R1918	QRE121J-222Y	C R	2.2kΩ 1/2W J			C1393-95	NCB31EK-104X	C CAP.	0.1μF 25V K		
	R1919	QRE121J-684Y	C R	680kΩ 1/2W J			C1421	NCB21HK-102X	C CAP.	1000pF 50V K		
	R1924	QRE121J-222Y	C R	2.2kΩ 1/2W J			C1422	QFLC1HJ-103Z	M CAP.	0.01μF 50V J		
	R1930	QRE121J-223Y	C R	22kΩ 1/2W J			C1424	QETN1VM-107Z	E CAP.	100μF 35V M		
	R1939	QRT039J-2R2	MF R	2.2Ω 3W J			C1425	QETN1VM-477Z	E CAP.	470μF 35V M		
	R1940	QRE121J-181Y	C R	180Ω 1/2W J			C1427	QETN1HM-105Z	E CAP.	1μF 50V M		
	R1941	QRL029J-183	OM R	18kΩ 2W J			C1428	QETM1EM-228	E CAP.	2200μF 25V M		
	R1951	NRSA63J-473X	MG R	47kΩ 1/16W J			C1430	NCB21CK-474X	C CAP.	0.47μF 16V K		
	R1952	NRSA63J-102X	MG R	1kΩ 1/16W J			C1431	QFLC2AK-563Z	M CAP.	0.056μF 100V K		
	R1953	QRE121J-820Y	C R	82Ω 1/2W J			C1433	QETN1EM-476Z	E CAP.	47μF 25V M		
	R1973	QRE121J-272Y	C R	2.7kΩ 1/2W J			C1434	NDC21HJ-100X	C CAP.	10pF 50V J		
	R1975	QRE121J-223Y	C R	22kΩ 1/2W J			C1435	NCB21HK-183X	C CAP.	0.018μF 50V K		
	R1977	QRE121J-473Y	C R	47kΩ 1/2W J			C1501	QCB32HK-151Z	C CAP.	150pF 500V K		
	R1978	NRSA63J-333X	MG R	33kΩ 1/16W J			C1502	QCB32HK-331Z	C CAP.	330pF 500V K		
	R1979	QRT029J-1R2	MF R	1.2Ω 2W J			C1503	QEHR2CM-105Z	E CAP.	1μF 160V M		
	R1980	QRT029J-1R2	MF R	1.2Ω 2W J			C1504	QEZ0203-107	E CAP.	100μF 160V M		
△	R1998	QRZ9041-275	C R	2.7MΩ 1/2W K			C1507-08	QEM61HK-475Z	E CAP.	4.7μF 50V K		
	R1999	QRE121J-121Y	C R	120Ω 1/2W J			△	C1510	QFZ0196-602	MPP CAP.	6000pF 1.5kVH ±3%	
							△	C1513	QFZ0198-133	MPP CAP.	0.013μF 1.5kVH ±3%	
							△	C1514	QFP32GJ-183	PP CAP.	0.018μF 400V J	
							△	C1515	QFZ0197-754	MPP CAP.	0.75μF 250V J	
							△	C1516	QCB32HK-561Z	C CAP.	560pF 500V K	
								C1521	QETN2EM-106Z	E CAP.	10μF 250V M	
								C1523	QEHR1VM-108Z	E CAP.	1000μF 35V M	
								C1525	QETN1VM-107Z	E CAP.	100μF 35V M	
								C1526	QFV21HJ-824Z	MF CAP.	0.82μF 50V J	
								C1527	QFLC2AJ-103Z	M CAP.	0.01μF 100V J	
								C1531	QCB32HK-102Z	C CAP.	1000pF 500V K	
								C1533	QETN1HM-106Z	E CAP.	10μF 50V M	
								C1601-03	QETN1EM-476Z	E CAP.	47μF 25V M	
								C1609-11	QFV71HJ-104Z	MF CAP.	0.1μF 50V J	
								C1621	NCB31HK-102X	C CAP.	1000pF 50V K	
								C1622	NCF21CZ-105X	C CAP.	1μF 16V Z	
								C1623	NCB31HK-102X	C CAP.	1000pF 50V K	
								C1624	NCF21CZ-105X	C CAP.	1μF 16V Z	
								C1625	QETN1CM-107Z	E CAP.	100μF 16V M	
								C1626	QETN1EM-108Z	E CAP.	1000μF 25V M	
								C1627	QETN1HM-474Z	E CAP.	0.47μF 50V M	
								C1628-29	QETN1EM-108Z	E CAP.	1000μF 25V M	
								C1634	QETN1HM-106Z	E CAP.	10μF 50V M	
								C1700	NCB31HK-102X	C CAP.	1000pF 50V K	
								C1702	NCB31EK-104X	C CAP.	0.1μF 25V K	
								C1703	NDC31HJ-181X	C CAP.	180pF 50V J	
								C1706	QETN1HM-105Z	E CAP.	1μF 50V M	
								C1707	QETN1CM-107Z	E CAP.	100μF 16V M	
								C1710	NCB31CK-683X	C CAP.	0.068μF 16V K	
								C1722-23	NDC31HJ-390X	C CAP.	39pF 50V J	
								C1724	NDC31HJ-471X	C CAP.	470pF 50V J	
								C1726	NDC31HJ-561X	C CAP.	560pF 50V J	
								C1728	NCB31HK-103X	C CAP.	0.01μF 50V K	
								C1800	QETN1EM-107Z	E CAP.	100μF 25V M	
								C1801	NCB31EK-104X	C CAP.	0.1μF 25V K	
								C1802	QETN1CM-107Z	E CAP.	100μF 16V M	
								C1804	NCB31HK-103X	C CAP.	0.01μF 50V K	
								C1807	QETN1HM-106Z	E CAP.	10μF 50V M	
								C1810	QENC1HM-474Z	BP E CAP.	0.47μF 50V M	
CAPACITOR												
	C1001	QETN1HM-475Z	E CAP.	4.7μF 50V M								
	C1002	QETN1HM-106Z	E CAP.	10μF 50V M								
	C1003	QETN1CM-108Z	E CAP.	1000μF 16V M								
	C1011-12	NCB31HK-103X	C CAP.	0.01μF 50V K								
	C1014	QETN1CM-107Z	E CAP.	100μF 16V M								
	C1015-16	NCB31HK-103X	C CAP.	0.01μF 50V K								
	C1021	QFV71HJ-824Z	MF CAP.	0.82μF 50V J								
	C1023	QETN1CM-107Z	E CAP.	100μF 16V M								
	C1024	NCB31HK-103X	C CAP.	0.01μF 50V K								
	C1025	NCB31HK-102X	C CAP.	1000pF 50V K								
	C1026	QETN1HM-474Z	E CAP.	0.47μF 50V M								
	C1027	NCB21HK-104X	C CAP.	0.1μF 50V K								
	C1028	QETN1HM-106Z	E CAP.	10μF 50V M								
	C1030	NCB31HK-103X	C CAP.	0.01μF 50V K								
	C1034	NCB31HK-103X	C CAP.	0.01μF 50V K								
	C1036	QETN1AM-477Z	E CAP.	470μF 10V M								
	C1037	NCB31HK-103X	C CAP.	0.01μF 50V K								
	C1038	QETN1CM-107Z	E CAP.	100μF 16V M								
	C1041-42	QETN1HM-106Z	E CAP.	10μF 50V M								
	C1043-44	NDC31HJ-470X	C CAP.	47pF 50V J								
	C1045	QETN1HM-106Z	E CAP.	10μF 50V M								
	C1046	NCB31HK-103X	C CAP.	0.01μF 50V K								
	C1047	NDC21HJ-330X	C CAP.	33pF 50V J								
	C1048	NCB31HK-103X	C CAP.	0.01μF 50V K								
	C1111	QETN0JM-228Z	E CAP.	2200μF 6.3V M								
	C1112	NCB31HK-103X	C CAP.	0.01μF 50V K								
	C1113	QETN1HM-474Z	E CAP.	0.47μF 50V M								
	C1114	QETN1HM-105Z	E CAP.	1μF 50V M								
	C1115	QFV71HJ-104Z	MF CAP.	0.1μF 50V J								
	C1116	NCB31EK-104X	C CAP.	0.1μF 25V K								
	C1134	NDC31HJ-470X	C CAP.	47pF 50V J								
	C1135	NDC31HJ-330X	C CAP.	33pF 50V J								
	C1136	QENC1CM-106Z	E CAP.	10μF 16V M								
	C1151	NCB31HK-103X	C CAP.	0.01μF 50V K								
	C1201	NDC31HJ-100X	C CAP.	10pF 50V J								

△ Symbol No.	Part No.	Part Name	Description	Local
CAPACITOR				
C1811	QENC1HM-105Z	E CAP.	1μF 50V	M
C1812-13	NCB31HK-102X	C CAP.	1000pF 50V	K
C1816	NCB31HK-153X	C CAP.	0.015μF 50V	K
C1853-54	QETN1CM-107Z	E CAP.	100μF 16V	M
C1856-57	QETN1CM-107Z	E CAP.	100μF 16V	M
△ C1901	QFZ9067-104	MM CAP.	0.1μF	
△ C1902	QFZ9067-473	MM CAP.	0.047μF	
△ C1904-06	QCZ9054-102	C CAP.	1000pF AC250V	Z
△ C1907	QEZ0169-477	E CAP.	470μF 200V	M
△ C1908	QCZ9054-102	C CAP.	1000pF AC250V	Z
C1912	QCZ0340-222	C CAP.	2200pF	
C1913	QFLC1HJ-471Z	M CAP.	470pF 50V	J
C1914	QETN1HM-107Z	E CAP.	100μF 50V	M
C1916	NDC31HJ-331X	C CAP.	330pF 50V	J
C1917	NCB31HK-182X	C CAP.	1800pF 50V	K
C1918	NCB21HK-104X	C CAP.	0.1μF 50V	K
C1919	QFP32GJ-103	PP CAP.	0.01μF 400V	J
C1931	QEZ0203-107	E CAP.	100μF 160V	M
C1933	QETN1CM-108Z	E CAP.	1000μF 16V	M
C1934	NDC31HJ-221X	C CAP.	220pF 50V	J
C1935	QETN1EM-108Z	E CAP.	1000μF 25V	M
C1937	QCZ0340-102	C CAP.	1000pF	
C1938	QETN1CM-477Z	E CAP.	470μF 16V	M
C1939	QCB32HK-152Z	C CAP.	1500pF 500V	K
C1941	QCB32HK-102Z	C CAP.	1000pF 500V	K
C1942	QEHR1HM-105Z	E CAP.	1μF 50V	M
C1951	QETN1EM-477Z	E CAP.	470μF 25V	M
C1952	QETN1CM-227Z	E CAP.	220μF 16V	M
C1971	QETN1CM-107Z	E CAP.	100μF 16V	M
C1972	QETN1EM-476Z	E CAP.	47μF 25V	M
C1973	QETN1HM-106Z	E CAP.	10μF 50V	M
△ C1997	QCZ9052-102	C CAP.	1000pF AC125V	K
△ C1998-99	QCZ9074-103	C CAP.	0.01μF AC125V	M
TRANSFORMER				
T1501	CE42034-002	H.DRIVE TRANSF.		
△ T1502	QQH0100-001	FBT		
△ T1921	QQS0118-001	SW TRANSF		
△ T1951	QQT0355-001	POWER TRANSF		
COIL				
△ L1001	QQL244K-560Z	COIL	56μH	K
L1012	QQLZ014-R39	COIL	0.39μH	
L1021	QRN143J-0R0X	C R	0.0Ω	1/4W J
L1022	QQL244K-220Z	COIL	22μH	K
L1027	QRN143J-0R0X	C R	0.0Ω	1/4W J
L1041	QRN143J-0R0X	C R	0.0Ω	1/4W J
L1042	QQL244K-220Z	COIL	22μH	K
L1101	QQL244K-470Z	COIL	47μH	K
L1232	QQL244K-560Z	COIL	56μH	K
△ L1511	QQR1027-003	LINE FILTER		
L1512	QQLZ027-821	CHOKE COIL	820μH	
△ L1521	QQLZ018-560	HEATER CHOKE	56μH	
L1700	QQL244K-4R7Z	COIL	4.7μH	K
L1810	QQL244J-100Z	COIL	10μH	J
L1931	QQL26AK-470Z	COIL	47μH	K
L1933	QQL26AK-470Z	COIL	47μH	K
L1940	QQR0582-001Z	BEADS CORE		
DIODE				
D1010	MTZJ9.1C-T2	ZENER DIODE		
D1101-02	MTZJ5.6B-T2	ZENER DIODE		
D1305-10	1SS133-T2	SI.DIODE		
D1352	MTZJ9.1C-T2	ZENER DIODE		
D1353	1SS133-T2	SI.DIODE		
D1421	1N4003-T2	SI.DIODE		
D1422	MTZJ75-T2	ZENER DIODE		
D1424	1SS133-T2	SI.DIODE		

△ Symbol No.	Part No.	Part Name	Description	Local
DIODE				
D1501	RH3G-F1	SI.DIODE		
△ D1502	RU3AM-LFC4	SI.DIODE		
D1521	RH1S-T3	SI.DIODE		
△ D1523	RGP10J-5025-T3	SI.DIODE		
D1525-26	1SS81-T5	SI.DIODE		
D1527	1SR124-400A-T2	SI.DIODE		
D1529	MTZJ5.1C-T2	ZENER DIODE		
△ D1531	MA4068N/Z1-T2	ZENER DIODE		
D1535	1SS133-T2	SI.DIODE		
D1537	1SR35-400A-T2	SI.DIODE		
D1601	MTZJ9.1C-T2	ZENER DIODE		
D1603	MTZJ9.1C-T2	ZENER DIODE		
D1606	MTZJ9.1C-T2	ZENER DIODE		
D1700	MTZJ5.6B-T2	ZENER DIODE		
D1701	1SS133-T2	SI.DIODE		
D1703-04	MTZJ5.6B-T2	ZENER DIODE		
D1716	1SS133-T2	SI.DIODE		
D1721-22	1SS133-T2	SI.DIODE		
D1723-24	MTZJ5.6B-T2	ZENER DIODE		
D1801	1SS133-T2	SI.DIODE		
D1810	MTZJ5.6B-T2	ZENER DIODE		
D1811	1SS133-T2	SI.DIODE		
△ D1901	GSIB460-S1	BRIDGE DIODE		
D1910	MA700A-T2	SI.DIODE		
△ D1911-13	RGP10J-5025-T3	SI.DIODE		
D1914	1SS133-T2	SI.DIODE		
D1915	SARS01-T2	SI.DIODE		
D1917	MTZJ30A-T2	ZENER DIODE		
D1918	MTZJ5.1C-T2	ZENER DIODE		
D1920	1SS133-T2	SI.DIODE		
D1931	RU30A-F1	SI.DIODE		
D1933	RU3YX-LFC4	SI.DIODE		
D1935	RU3YX-LFC4	SI.DIODE		
D1941	MTZJ33A-T2	ZENER DIODE		
D1945	MTZJ9.1B-T2	ZENER DIODE		
D1952-53	1SS133-T2	SI.DIODE		
D1954-57	1SR35-400A-T2	SI.DIODE		
D1972	MTZJ15C-T2	ZENER DIODE		
D1973	1SS133-T2	SI.DIODE		
TRANSISTOR				
Q1011	2SC5083/L-P/-T	SI.TRANSISTOR		
Q1021	2SC2412K/QR/-X	SI.TRANSISTOR		
Q1024	2SC2412K/QR/-X	SI.TRANSISTOR		
Q1025	2SA1037AK/QR/-X	SI.TRANSISTOR		
Q1041	2SA1037AK/QR/-X	SI.TRANSISTOR		
Q1131-33	2SC2412K/QR/-X	SI.TRANSISTOR		
Q1150	2SA1037AK/QR/-X	SI.TRANSISTOR		
Q1232-33	2SC2412K/QR/-X	SI.TRANSISTOR		
Q1352	2SC2412K/QR/-X	SI.TRANSISTOR		
Q1431	UN2212-X	DEGI.TRANSISTOR		
Q1501	2SC4212/Z1/	SI.TRANSISTOR		
△ Q1511	2SD2645-YD	TRANSISTOR		
Q1531	2SC2785/JH/-T	SI.TRANSISTOR		
Q1532	2SA1037AK/QR/-X	SI.TRANSISTOR		
Q1541-42	2SA1037AK/QR/-X	SI.TRANSISTOR		
△ Q1543	2SD1408/OY/-LB	SI.TRANSISTOR		
Q1621	UN2212-X	DEGI.TRANSISTOR		
Q1622	2SC2412K/QR/-X	SI.TRANSISTOR		
Q1623	UN2212-X	DEGI.TRANSISTOR		
Q1700	2SC2412K/QR/-X	SI.TRANSISTOR		
Q1701	2SA1037AK/QR/-X	SI.TRANSISTOR		
Q1706	2SC2412K/QR/-X	SI.TRANSISTOR		
Q1711	UN2212-X	DEGI.TRANSISTOR		
Q1810	UN2213-X	DIGI TRANSISTOR		
Q1951	2SD1383K/AB/-X	SI.TRANSISTOR		
Q1971	2SA1208/ST/Z1-T	SI.TRANSISTOR		
IC				
IC1101	TB1253AN	I.C(M)		
IC1421	LA7841	I.C(MONO-ANA)		
△ IC1621	LA4485	I.C(MONO-ANA)		

CRT SOCKET PW BOARD ASS'Y(SGC-3003A-M2)

△	Symbol No.	Part No.	Part Name	Description	Local
IC					
	IC1701	MN1876478JW	I.C(MICRO-COMP)		
	IC1702	AT24C04-GC1	I.C(MEMORY-OTH)	(SERVICE)	
	IC1703	L78LR05E-MA	I.C(MONO-ANA)		
	IC1852	AN7809F	I.C(MONO-ANA)		
	IC1853	AN7805F	I.C(MONO-ANA)		
△	IC1911	STR-G6624/F8	I.C(HYBRID)		
△	IC1921	SE135N	I.C(HYBRID)		

OTHERS

	CF1001	QAX0349-001	CERAMIC FILTER		
	CF1021	QAX0639-001Z	CERAMIC FILTER		
	CF1041	QAX0642-001Z	CERAMIC FILTER		
△	CN10PW	QMPD390-200-JS	POWER CORD		
△	CP1932	ICP-N70-T	C PROTECTOR		
△	CP1936	ICP-N70-T	C PROTECTOR		
△	F1901	QMF51U1-5R0-J8	FUSE		
△	F1905	QMFZ034-5R0Z-J1	FUSE		
△	FC1901	CEMG002-001Z	FUSE CLIP		
△	FR1521	QRK129J-150	C R	15Ω	1/2W J
△	FR1523	QRX029J-3R3	MF R		
△	FR1525	QRZ9017-4R7	F R	4.7Ω	1/4W
	J1601	QNN0349-002	PIN JACK		
	J1810	QNS0001-001	JACK		
	K1401	QQR0621-002Z	BEADS CORE		
	K1912	QQR0582-001Z	BEADS CORE		
	K1916-18	QQR0582-001Z	BEADS CORE		
	K1931-33	QQR0582-001Z	BEADS CORE		
	K1935	QQR0582-001Z	BEADS CORE		
	K1941	QQR0621-002Z	BEADS CORE		
	LC1601-03	QQR1199-001	FILTER		
△	LF1901	QQR0527-003	LINE FILTER		
△	PC1921	TLP421F/D4-GR/	I.C(PH.COUPLER)		
△	RY1951	QSK0085-001	RELAY		
	S1421	QSL4A13-C02	LEVER SWITCH		
	SF1011	QAX0324-002	SAW FILTER		
△	TH1901	QAD0132-3R0	W-PTC		
△	TU1001	QAU0176-001	TUNER		
△	VA1901	ERZV10V621CS	VARISTOR		
	W1106	NRSA63J-0R0X	MG R	0.0Ω	1/16W J
	W1213	NRSA63J-0R0X	MG R	0.0Ω	1/16W J
	W1265	NRSA63J-0R0X	MG R	0.0Ω	1/16W J
	W1311	NRSA63J-0R0X	MG R	0.0Ω	1/16W J
	W1331	NRSA63J-0R0X	MG R	0.0Ω	1/16W J
	W1442-43	NRSA63J-0R0X	MG R	0.0Ω	1/16W J
	W1478	NRSA63J-0R0X	MG R	0.0Ω	1/16W J
	W1548-49	NRSA63J-0R0X	MG R	0.0Ω	1/16W J
	W1567	NRSA63J-0R0X	MG R	0.0Ω	1/16W J
	W1572	NRSA63J-0R0X	MG R	0.0Ω	1/16W J
	W1579	NRSA63J-0R0X	MG R	0.0Ω	1/16W J
	W1581	NRSA63J-0R0X	MG R	0.0Ω	1/16W J
	W1609	NRSA63J-0R0X	MG R	0.0Ω	1/16W J
	W1628	NRSA63J-0R0X	MG R	0.0Ω	1/16W J
	W1636	NRSA63J-0R0X	MG R	0.0Ω	1/16W J
	W1653	NRSA63J-0R0X	MG R	0.0Ω	1/16W J
	W1666	NRSA63J-0R0X	MG R	0.0Ω	1/16W J
	W1710	NRSA63J-0R0X	MG R	0.0Ω	1/16W J
	W1716	NRSA63J-0R0X	MG R	0.0Ω	1/16W J
	W1729	NRSA63J-0R0X	MG R	0.0Ω	1/16W J
	W1746	NRSA63J-0R0X	MG R	0.0Ω	1/16W J
	W1762	NRSA63J-0R0X	MG R	0.0Ω	1/16W J
	W1764	NRSA63J-0R0X	MG R	0.0Ω	1/16W J
	W1766	NRSA63J-0R0X	MG R	0.0Ω	1/16W J
	W1773	NRSA63J-0R0X	MG R	0.0Ω	1/16W J
	W1784	NRSA63J-0R0X	MG R	0.0Ω	1/16W J
	W1797-98	NRSA63J-0R0X	MG R	0.0Ω	1/16W J
	W1804	NRSA63J-0R0X	MG R	0.0Ω	1/16W J
	W1821	NRSA63J-0R0X	MG R	0.0Ω	1/16W J
	X1201	CE40668-001Z	CRYSTAL		
	X1700	QAX0307-001	CER.RESONATOR		
	Y1002-03	NRSA63J-0R0X	MG R	0.0Ω	1/16W J
	Y1800	NRSA63J-0R0X	MG R	0.0Ω	1/16W J
	Y1903	NRSA63J-0R0X	MG R	0.0Ω	1/16W J

△	Symbol No.	Part No.	Part Name	Description	Local
RESISTOR					
	R3354-56	NRSA63J-221X	MG R	220Ω	1/16W J
	R3357-59	NRSA63J-101X	MG R	100Ω	1/16W J
	R3360-62	QRZ0111-152	C R	1.5kΩ	1/2W K
	R3363-65	QRG029J-103	OM R	10kΩ	2W J
	R3366-68	NRSA63J-182X	MG R	1.8kΩ	1/16W J
	R3372-74	NRSA63J-221X	MG R	220Ω	1/16W J
	R3375-77	NRSA63J-0R0X	MG R	0.0Ω	1/16W J
	R3381	QRE121J-394Y	C R	390kΩ	1/2W J
	R3391	NRSA63J-152X	MG R	1.5kΩ	1/16W J
	R3392	NRSA63J-392X	MG R	3.9kΩ	1/16W J
	R3393-95	NRSA63J-102X	MG R	1kΩ	1/16W J

CAPACITOR

	C3354-55	NDC31HJ-391X	C CAP.	390pF	50V J
	C3356	NDC31HJ-471X	C CAP.	470pH	50V J
	C3357	QETN1CM-107Z	E CAP.	100pF	16V M
△	C3382	QCZ0121-102	C CAP.	1000pF	3kV Z
	C3391	QETN1AM-227Z	E CAP.	220pF	10V M
	C3392	NDC31HJ-101X	C CAP.	100pF	50V J

COIL

	L3381	QQL244K-101Z	COIL	100pH	K
--	-------	--------------	------	-------	---

DIODE

	D3391	1SS133-T2	SI.DIODE		
--	-------	-----------	----------	--	--

TRANSISTOR

	Q3351-53	2SC4544-LB	SI.TRANSISTOR		
	Q3391	2SA933AS/QR-T	SI.TRANSISTOR		

OTHERS

△	SK3351	QNZ0537-001	CRT SOCKET		
	W3002	NRSA02J-0R0X	MG R	0.0Ω	1/10W J

FRONT CONTROL PW BOARD ASS'Y(SGC-8501A-M2)

△	Symbol No.	Part No.	Part Name	Description	Local
RESISTOR					
	R8702	NRSA63J-472X	MG R	4.7kΩ	1/16W J
	R8703	NRSA63J-153X	MG R	15kΩ	1/16W J
	R8705	NRSA63J-472X	MG R	4.7kΩ	1/16W J
	R8706	NRSA63J-153X	MG R	15kΩ	1/16W J
	R8707	NRSA63J-332X	MG R	3.3kΩ	1/16W J
	R8708	NRSA63J-152X	MG R	1.5kΩ	1/16W J
	R8709	NRSA63J-561X	MG R	560Ω	1/16W J
CAPACITOR					
	C8701	QETN1EM-476Z	E CAP.	47pF	25V M
DIODE					
	D8701	SLR-342VR3F	L.E.D.		
TRANSISTOR					
	Q8701-02	UN2112-X	DIGI TRANSISTOR		

△ Symbol No.	Part No.	Part Name	Description	Local
IC				
IC8701	GP1U281Q	IFR DETECT UNIT		
OTHERS				
S8701	LC30190-001B-A	L.E.D.HOLDER		
S8702	QSW0619-003Z	PUSH SWITCH	POWER	
S8703	QSW0619-003Z	PUSH SWITCH	NENU	
S8704	QSW0619-003Z	PUSH SWITCH	CH-	
S8705	QSW0619-003Z	PUSH SWITCH	CH+	
S8706	QSW0619-003Z	PUSH SWITCH	VOL-	
W8002	NRSA63J-0R0X	MG R	0.0Ω 1/16W	J

FRONT AV INPUT PW BOARD ASS'Y(SGC-8601A-M2)

△ Symbol No.	Part No.	Part Name	Description	Local
RESISTOR				
R8401	NRSA63J-750X	MG R	75Ω 1/16W	J
R8402-03	NRSA63J-224X	MG R	220kΩ 1/16W	J
CAPACITOR				
C8402-03	QETN1HM-105Z	E CAP.	1μF 50V	M
OTHERS				
J8401	QNN0281-003	PIN JACK		
J8402	QNN0281-002	PIN JACK		
J8403	QNN0282-001	PIN JACK		
LC8401	QQR1199-001	FILTER		
W8001	NRSA63J-0R0X	MG R	0.0Ω 1/16W	J

AV SELECTOR PW BOARD ASS'Y(SGC0S002A-M2)

△ Symbol No.	Part No.	Part Name	Description	Local
RESISTOR				
R0081	NRSA63J-102X	MG R	1kΩ 1/16W	J
R0082	NRSA63J-682X	MG R	6.8kΩ 1/16W	J
R0083	NRSA63J-153X	MG R	15kΩ 1/16W	J
R0084	NRSA63J-683X	MG R	68kΩ 1/16W	J
R0085	NRSA63J-332X	MG R	3.3kΩ 1/16W	J
R0086	NRSA63J-333X	MG R	33kΩ 1/16W	J
R0087	NRSA63J-153X	MG R	15kΩ 1/16W	J
R0088	NRSA63J-152X	MG R	1.5kΩ 1/16W	J
R0089	NRSA63J-562X	MG R	5.6kΩ 1/16W	J
R0090	NRSA63J-563X	MG R	56kΩ 1/16W	J
R0151-54	NRSA63J-223X	MG R	22kΩ 1/16W	J
R0155	NRSA63J-0R0X	MG R	0.0Ω 1/16W	J
R0157	NRSA63J-0R0X	MG R	0.0Ω 1/16W	J
R0159	NRSA63J-103X	MG R	10kΩ 1/16W	J
R0210	NRSA63J-0R0X	MG R	0.0Ω 1/16W	J
R0211	NRSA63J-153X	MG R	15kΩ 1/16W	J
R0212	NRSA63J-333X	MG R	33kΩ 1/16W	J
R0213	NRSA63J-102X	MG R	1kΩ 1/16W	J

△ Symbol No.	Part No.	Part Name	Description	Local
RESISTOR				
R0214	NRSA63J-181X	MG R	180Ω 1/16W	J
R0215	NRSA63J-152X	MG R	1.5kΩ 1/16W	J
R0216	NRSA63J-182X	MG R	1.8kΩ 1/16W	J
R0217	NRSA63J-102X	MG R	1kΩ 1/16W	J
R0218	NRSA63J-222X	MG R	2.2kΩ 1/16W	J
R0223	NRSA63J-0R0X	MG R	0.0Ω 1/16W	J
R0229	NRSA63J-473X	MG R	47kΩ 1/16W	J
R0230	NRSA63J-223X	MG R	22kΩ 1/16W	J
R0231	NRSA63J-101X	MG R	100Ω 1/16W	J
R0232	NRSA63J-102X	MG R	1kΩ 1/16W	J
R0233	NRSA63J-272X	MG R	2.7kΩ 1/16W	J
R0234	NRSA63J-102X	MG R	1kΩ 1/16W	J
R0235-36	NRSA63J-101X	MG R	100Ω 1/16W	J
R0238	NRSA63J-822X	MG R	8.2kΩ 1/16W	J
R0239	NRSA63J-123X	MG R	12kΩ 1/16W	J
R0241	NRSA63J-821X	MG R	820Ω 1/16W	J
R0242	NRSA63J-474X	MG R	470kΩ 1/16W	J
R0243-44	NRSA63J-103X	MG R	10kΩ 1/16W	J
R0251	NRSA63J-471X	MG R	470Ω 1/16W	J
R0253	NRSA63J-681X	MG R	680Ω 1/16W	J
R0254-55	NRSA63J-0R0X	MG R	0.0Ω 1/16W	J
R0258	NRSA63J-101X	MG R	100Ω 1/16W	J
R0259	NRSA63J-222X	MG R	2.2kΩ 1/16W	J
R0261	NRSA63J-101X	MG R	100Ω 1/16W	J
R0262	NRSA63J-222X	MG R	2.2kΩ 1/16W	J
R0263	NRSA63J-471X	MG R	470Ω 1/16W	J
R0265	NRSA63J-102X	MG R	1kΩ 1/16W	J
R0269-70	NRSA63J-0R0X	MG R	0.0Ω 1/16W	J
R0331-34	NRSA63J-101X	MG R	100Ω 1/16W	J
R0371-74	NRSA63J-103X	MG R	10kΩ 1/16W	J
R0375-76	NRSA63J-333X	MG R	33kΩ 1/16W	J
R0377-78	NRSA63J-472X	MG R	4.7kΩ 1/16W	J
R0381	NRSA63J-562X	MG R	5.6kΩ 1/16W	J
R0382	NRSA63J-223X	MG R	22kΩ 1/16W	J
R0384-87	NRSA63J-223X	MG R	22kΩ 1/16W	J
R0391-92	NRSA63J-221X	MG R	220Ω 1/16W	J
R0393-94	NRSA63J-823X	MG R	82kΩ 1/16W	J
R0395-96	NRSA63J-221X	MG R	220Ω 1/16W	J
R0501	NRSA63J-102X	MG R	1kΩ 1/16W	J
R0502-03	NRSA63J-820X	MG R	82Ω 1/16W	J
R0504	NRSA63J-750X	MG R	75Ω 1/16W	J
R0505	NRSA63J-823X	MG R	82kΩ 1/16W	J
R0506	NRSA63J-102X	MG R	1kΩ 1/16W	J
R0507	NRSA63J-823X	MG R	82kΩ 1/16W	J
R0508	NRSA63J-102X	MG R	1kΩ 1/16W	J
R0512	NRSA63J-823X	MG R	82kΩ 1/16W	J
R0513	NRSA63J-102X	MG R	1kΩ 1/16W	J
R0514	NRSA63J-823X	MG R	82kΩ 1/16W	J
R0515	NRSA63J-102X	MG R	1kΩ 1/16W	J
R0518	NRSA63J-153X	MG R	15kΩ 1/16W	J
R0519	NRSA63J-103X	MG R	10kΩ 1/16W	J
R0520	NRSA63J-153X	MG R	15kΩ 1/16W	J
R0523	NRSA63J-103X	MG R	10kΩ 1/16W	J
R0542	NRSA63J-821X	MG R	820Ω 1/16W	J
R0543-44	NRSA63J-182X	MG R	1.8kΩ 1/16W	J
R0546	NRSA63J-273X	MG R	27kΩ 1/16W	J
R0547	NRSA63J-223X	MG R	22kΩ 1/16W	J
R0548	NRSA63J-222X	MG R	2.2kΩ 1/16W	J
R0552	NRSA63J-183X	MG R	18kΩ 1/16W	J
R0553	NRSA63J-223X	MG R	22kΩ 1/16W	J
R0560	NRSA63J-221X	MG R	220Ω 1/16W	J
R0561	NRSA63J-222X	MG R	2.2kΩ 1/16W	J
R0562	NRSA63J-471X	MG R	470Ω 1/16W	J
R0565	NRSA63J-223X	MG R	22kΩ 1/16W	J
R0566	NRSA63J-0R0X	MG R	0.0Ω 1/16W	J
R0567	NRSA63J-152X	MG R	1.5kΩ 1/16W	J
R0568	NRSA63J-183X	MG R	18kΩ 1/16W	J
R0569	NRSA63J-103X	MG R	10kΩ 1/16W	J
R0570	NRSA63J-152X	MG R	1.5kΩ 1/16W	J
R0571	NRSA63J-0R0X	MG R	0.0Ω 1/16W	J
R0572	NRSA63J-562X	MG R	5.6kΩ 1/16W	J
R0574	NRSA63J-471X	MG R	470Ω 1/16W	J

△ Symbol No.	Part No.	Part Name	Description	Local
CAPACITOR				
C0081	NCB21HK-104X	C CAP.	0.1μF 50V	K
C0082	QENC1HM-475Z	BP E CAP.	4.7μF 50V	M
C0083	QENC1HM-105Z	E CAP.	1μF 50V	M
C0084	QETN1HM-225Z	E CAP.	2.2μF 50V	M
C0085	NCB21HK-473X	C CAP.	0.047μF 50V	K
C0086	QETN1HM-474Z	E CAP.	0.47μF 50V	M
C0087-88	NCB21HK-104X	C CAP.	0.1μF 50V	K
C0089	QETN1HM-335Z	E CAP.	3.3μF 50V	M
C0090	QETN1HM-105Z	E CAP.	1μF 50V	M
C0091	QETN1HM-106Z	E CAP.	10μF 50V	M
C0092-93	QETN1HM-105Z	E CAP.	1μF 50V	M
C0094	QETN1HM-475Z	E CAP.	4.7μF 50V	M
C0095	QETN1HM-105Z	E CAP.	1μF 50V	M
C0151-52	QENC1HM-105Z	E CAP.	1μF 50V	M
C0153-54	NCB31HK-332X	C CAP.	3300pF 50V	K
C0155-56	NCB21HK-333X	C CAP.	0.033μF 50V	K
C0157-58	QETN1HM-106Z	E CAP.	10μF 50V	M
C0159	QETN1EM-476Z	E CAP.	47μF 25V	M
C0160	NCB21HK-104X	C CAP.	0.1μF 50V	K
C0205	QETN1HM-476Z	E CAP.	47μF 50V	M
C0206	NCB31HK-103X	C CAP.	0.01μF 50V	K
C0211	QETN1HM-106Z	E CAP.	10μF 50V	M
C0212	NDC31HJ-101X	C CAP.	100pF 50V	J
C0213	NDC31HJ-470X	C CAP.	47pF 50V	J
C0214	NDC31HJ-181X	C CAP.	180pF 50V	J
C0215	QETN1HM-474Z	E CAP.	0.47μF 50V	M
C0223	NCB31HK-103X	C CAP.	0.01μF 50V	K
C0226	NCB31HK-103X	C CAP.	0.01μF 50V	K
C0231-33	QETN1HM-106Z	E CAP.	10μF 50V	M
C0234	NCB31HK-103X	C CAP.	0.01μF 50V	K
C0235	QETN1HM-106Z	E CAP.	10μF 50V	M
C0236	NCB31HK-103X	C CAP.	0.01μF 50V	K
C0237	NCB31HK-472X	C CAP.	4700pF 50V	K
C0238-39	NCB31HK-103X	C CAP.	0.01μF 50V	K
C0241-45	NCB31HK-103X	C CAP.	0.01μF 50V	K
C0246	NDC31HJ-181X	C CAP.	180pF 50V	J
C0247-49	NCB31HK-103X	C CAP.	0.01μF 50V	K
C0251	QETN1HM-476Z	E CAP.	47μF 50V	M
C0252	NCB31HK-103X	C CAP.	0.01μF 50V	K
C0253	NRSA63J-222X	MG R	2.2kΩ 1/16W	J
C0255	NDC31HJ-390X	C CAP.	39pF 50V	J
C0261	NRSA63J-222X	MG R	2.2kΩ 1/16W	J
C0263	NDC31HJ-150X	C CAP.	15pF 50V	J
C0331	QETN1CM-107Z	E CAP.	100μF 16V	M
C0332	NCB31HK-103X	C CAP.	0.01μF 50V	K
C0333	QETN1EM-476Z	E CAP.	47μF 25V	M
C0334	NCB21HK-273X	C CAP.	0.027μF 50V	K
C0335	QETN1HM-225Z	E CAP.	2.2μF 50V	M
C0336	NCB31HK-222X	C CAP.	2200pF 50V	K
C0337	NCB21HK-104X	C CAP.	0.1μF 50V	K
C0338	QETN1HM-225Z	E CAP.	2.2μF 50V	M
C0339	NCB31HK-222X	C CAP.	2200pF 50V	K
C0340	NCB21HK-104X	C CAP.	0.1μF 50V	K
C0343	QETN1HM-105Z	E CAP.	1μF 50V	M
C0371-72	QENC1HM-105Z	E CAP.	1μF 50V	M
C0373	QETN1EM-476Z	E CAP.	47μF 25V	M
C0391-92	QETN1HM-474Z	E CAP.	0.47μF 50V	M
C0501-02	QETN1HM-106Z	E CAP.	10μF 50V	M
C0504-05	QETN1HM-105Z	E CAP.	1μF 50V	M
C0512-14	QETN1HM-106Z	E CAP.	10μF 50V	M
C0515-16	QETN1HM-105Z	E CAP.	1μF 50V	M
C0518	NCB31HK-103X	C CAP.	0.01μF 50V	K
C0519	QETN1EM-476Z	E CAP.	47μF 25V	M
C0520	QETN1HM-106Z	E CAP.	10μF 50V	M
C0521-22	QETN1EM-476Z	E CAP.	47μF 25V	M
C0531-32	NCB31HK-103X	C CAP.	0.01μF 50V	K

COIL

L0202	QQL244K-150Z	COIL	15μH	K
L0211	QQL244K-4R7Z	COIL	4.7μH	K
L0242-43	QQL244K-4R7Z	COIL	4.7μH	K
L0261	QQL244K-150Z	COIL	15μH	K

△ Symbol No.	Part No.	Part Name	Description	Local
DIODE				
D0391-92	MTZJ9.1C-T2	ZENER DIODE		
D0501-07	MTZJ9.1C-T2	ZENER DIODE		
D0511-16	MTZJ9.1C-T2	ZENER DIODE		

TRANSISTOR

Q0211-12	2SC2412K/QR/-X	SI.TRANSISTOR		
Q0218	2SC2412K/QR/-X	SI.TRANSISTOR		
Q0219	2SA1037AK/QR/-X	SI.TRANSISTOR		
Q0251	2SC2412K/QR/-X	SI.TRANSISTOR		
Q0253	2SC2412K/QR/-X	SI.TRANSISTOR		
Q0261-62	2SC2412K/QR/-X	SI.TRANSISTOR		
Q0381-82	UN2212-X	DEGI.TRANSISTOR		
Q0384-87	DTC323TK-X	DIGI.TRANSISTOR		
Q0505-06	2SC2412K/QR/-X	SI.TRANSISTOR		
Q0508-09	2SC2412K/QR/-X	SI.TRANSISTOR		
Q0510-11	UN2212-X	DEGI.TRANSISTOR		

IC

IC0001	UPC1851BCU	I.C(MONO-ANA)		
IC0151	NJM2150AD	I.C(MONO-ANA)		
IC0201	TC90A53N	I.C(DIGI-MOS)		
IC0371	BA15218N	I.C(MONO-ANA)		
IC0381	TC4066BP/N/	I.C(DIGI-MOS)		
IC0501	BA7644AN	I.C(MONO-ANA)		
IC0504	TC4066BP/N/	I.C(DIGI-MOS)		

OTHERS

J0501	QNZ0454-001	PIN JACK		
J0502-03	QNN0348-001	PIN JACK		
W0060	NRSA63J-0R0X	MG R	0.0Ω 1/16W	J
W0105	NRSA63J-0R0X	MG R	0.0Ω 1/16W	J
W0116	NRSA63J-0R0X	MG R	0.0Ω 1/16W	J
W0165	NRSA63J-0R0X	MG R	0.0Ω 1/16W	J
W0200-01	NRSA63J-0R0X	MG R	0.0Ω 1/16W	J
W0254	NRSA63J-0R0X	MG R	0.0Ω 1/16W	J
W0273	NRSA63J-0R0X	MG R	0.0Ω 1/16W	J
W0275	NRSA63J-0R0X	MG R	0.0Ω 1/16W	J
W0277-78	NRSA63J-0R0X	MG R	0.0Ω 1/16W	J
W0284-86	NRSA63J-0R0X	MG R	0.0Ω 1/16W	J
W0290	NRSA63J-0R0X	MG R	0.0Ω 1/16W	J
W0292	NRSA63J-0R0X	MG R	0.0Ω 1/16W	J
W0302	NRSA63J-0R0X	MG R	0.0Ω 1/16W	J
W0304-06	NRSA63J-0R0X	MG R	0.0Ω 1/16W	J
W0309	NRSA63J-0R0X	MG R	0.0Ω 1/16W	J
W0316	NRSA63J-0R0X	MG R	0.0Ω 1/16W	J
Y0501-04	NRSA63J-0R0X	MG R	0.0Ω 1/16W	J
Y0551-52	NRSA63J-0R0X	MG R	0.0Ω 1/16W	J

REMOTE CONTROL UNIT PARTS LIST(RM-C303G-1A)

△ Ref.No.	Part No.	Part Name	Description	Local
	UR52EC1286C	BATTERY COVER		

DIFFERENCE PARTS LIST BETWEEN AV-32D202/AG, AV-32D202/AH, AV-32D202/AM AND AV-32D202/AR

The picture tubes used for the models AV-32D202/AG, AV-32D202/AH, AV-32D202/AM and AV-32D202/AR are difference. The electrical parts are also difference according to the PICTURE TUBE.

In the DIFFERENCE PARTS LIST BETWEEN AV-32D202/AG, AV-32D202/AH, AV-32D202/AM and AV-32D202/AR, only difference points between these models are written. For other parts not mentioned in the list, please refer to the PARTS LIST(P42 – P47) for the AV-32D202/AG.

DIFFERENCE PARTS LIST

MAIN PWB

△	Symbol No.	Part No.				Part Name
		AV-32D202/AG	AV-32D202/AH	AV-32D202/AM	AV-32D202/AR	
		SGC-1011A-M2	SGC-1012A-M2	SGC-1013A-M2	SGC-1014A-M2	MAIN PWB
	R1434	QRL029J-181 (180Ω, 2W, J)	←	QRL029J-221 (220Ω, 2W, J)	QRL029J-181 (180Ω, 2W, J)	OM R
	R1505	QRL039J-821 (820Ω, 3W, J)	QRL039J-102 (1kΩ, 3W, J)	←	←	OM R
	R1545	QRE121J-822Y (8.2kΩ, 1/2W, J)	←	QRE121J-153Y (15kΩ, 1/2W, J)	QRE121J-822Y (8.2kΩ, 1/2W, J)	C R
	R1553	QRL039J-180 (18Ω, 3W, J)	←	QRL039J-100 (10Ω, 3W, J)	QRL039J-180 (18Ω, 3W, J)	OM R
△	C1510	QFZ0196-602 (6000pF, 1.5kVH, ±3%)	QFZ0196-532 (5300pF, 1.5kVH, ±3%)	←	←	MPP CAP.
△	C1515	QFZ0197-754 (0.75μF, 250V, J)	QFZ0197-564 (0.56μF, 250V, J)	←	←	MPP CAP.
△	L1511	QQR1027-003	←	←	CE41029-00A	LINE FILTER
△	L1521	QQLZ018-560 (56μH)	←	QQLZ026-640 (64μH)	QQLZ026-540 (54μH)	HEATER CHOKE

CRT SOCKET PWB

△	Symbol No.	Part No.				Part Name
		AV-32D202/AG	AV-32D202/AH	AV-32D202/AM	AV-32D202/AR	
		SGC-3003A-M2	SGC-3004A-M2	SGC-3005A-M2	SGC-3011A-M2	CRT SOCKET PWB

PRINTED WIRING BOARD PARTS LIST (AV-32D302/AG)**MAIN PW BOARD ASS'Y(SGC-1011A-M2)**

△ Symbol No.	Part No.	Part Name	Description	Local
--------------	----------	-----------	-------------	-------

Parts list is the same as for AV-32D202/AG. Refer to pages 42 – 45.

CRT SOCKET PW BOARD ASS'Y(SGC-3003A-M2)

△ Symbol No.	Part No.	Part Name	Description	Local
--------------	----------	-----------	-------------	-------

Parts list is the same as for AV-32D202/AG. Refer to page 45.

FRONT CONTROL PW BOARD ASS'Y(SGC-8501A-M2)

△ Symbol No.	Part No.	Part Name	Description	Local
--------------	----------	-----------	-------------	-------

Parts list is the same as for AV-32D202/AG. Refer to pages 45 – 46.

FRONT AV INPUT PW BOARD ASS'Y(SGC-8601A-M2)

△ Symbol No.	Part No.	Part Name	Description	Local
--------------	----------	-----------	-------------	-------

Parts list is the same as for AV-32D202/AG. Refer to page 46.

AV SELECTOR PW BOARD ASS'Y(SGC0S002A-M2)

△ Symbol No.	Part No.	Part Name	Description	Local
--------------	----------	-----------	-------------	-------

Parts list is the same as for AV-32D202/AG. Refer to pages 46 – 47.

REMOTE CONTROL UNIT PARTS LIST(RM-C303G-1A)

△ Ref.No.	Part No.	Part Name	Description	Local
-----------	----------	-----------	-------------	-------

	UR52EC1286C	BATTERY COVER		
--	-------------	---------------	--	--

DIFFERENCE PARTS LIST BETWEEN AV-32D302/AG, AV-32D302/AH, AV-32D302/AM AND AV-32D302/AR

The picture tubes used for the models AV-32D302/AG, AV-32D302/AH, AV-32D302/AM and AV-32D302/AR are difference. The electrical parts are also difference according to the PICTURE TUBE.

In the DIFFERENCE PARTS LIST BETWEEN AV-32D302/AG, AV-32D302/AH, AV-32D302/AM and AV-32D302/AR, only difference points between these models are written. For other parts not mentioned in the list, please refer to the PARTS LIST(P42 – P47) for the AV-32D202/AG.

DIFFERENCE PARTS LIST

MAIN PWB

△	Symbol No.	Part No.				Part Name
		AV-32D302/AG	AV-32D302/AH	AV-32D302/AM	AV-32D302/AR	
		SGC-1011A-M2	SGC-1012A-M2	SGC-1013A-M2	SGC-1014A-M2	MAIN PWB
	R1434	QRL029J-181 (180Ω, 2W, J)	←	QRL029J-221 (220Ω, 2W, J)	QRL029J-181 (180Ω, 2W, J)	OM R
	R1505	QRL039J-821 (820Ω, 3W, J)	QRL039J-102 (1kΩ, 3W, J)	←	←	OM R
	R1545	QRE121J-822Y (8.2kΩ, 1/2W, J)	←	QRE121J-153Y (15kΩ, 1/2W, J)	QRE121J-822Y (8.2kΩ, 1/2W, J)	C R
	R1553	QRL039J-180 (18Ω, 3W, J)	←	QRL039J-100 (10Ω, 3W, J)	QRL039J-180 (18Ω, 3W, J)	OM R
△	C1510	QFZ0196-602 (6000pF, 1.5kVH, ±3%)	QFZ0196-532 (5300pF, 1.5kVH, ±3%)	←	←	MPP CAP.
△	C1515	QFZ0197-754 (0.75μF, 250V, J)	QFZ0197-564 (0.56μF, 250V, J)	←	←	MPP CAP.
△	L1511	QQR1027-003	←	←	CE41029-00A	LINE FILTER
△	L1521	QQLZ018-560 (56μH)	←	QQLZ026-640 (64μH)	QQLZ026-540 (54μH)	HEATER CHOKE

CRT SOCKET PWB

△	Symbol No.	Part No.				Part Name
		AV-32D302/AG	AV-32D302/AH	AV-32D302/AM	AV-32D302/AR	
		SGC-3003A-M2	SGC-3004A-M2	SGC-3005A-M2	SGC-3011A-M2	CRT SOCKET PWB

PRINTED WIRING BOARD PARTS LIST (AV-32D502/AG)

MAIN PW BOARD ASS'Y(SGC-1003A-M2)

△	Symbol No.	Part No.	Part Name	Description	Local	△	Symbol No.	Part No.	Part Name	Description	Local
RESISTOR						RESISTOR					
	R1001	NRSA63J-473X	MG R	47kΩ 1/16W J			R1511	QRE121J-220Y	C R	22Ω 1/2W J	
	R1002	NRSA63J-0R0X	MG R	0.0Ω 1/16W J			R1512	QRE121J-681Y	C R	680Ω 1/2W J	
	R1003-04	NRSA63J-221X	MG R	220Ω 1/16W J		△	R1523	QRJ146J-333X	C R	33kΩ 1/4W J	
	R1011	NRSA63J-820X	MG R	82Ω 1/16W J		△	R1525	QRZ9011-470	F R	47Ω 1/2W J	
	R1012	NRSA63J-182X	MG R	1.8kΩ 1/16W J			R1526	QRE121J-272Y	C R	2.7kΩ 1/2W J	
	R1013	NRSA63J-562X	MG R	5.6kΩ 1/16W J			R1527-28	QRE121J-154Y	C R	150kΩ 1/2W J	
	R1014	QRE121J-101Y	C R	100Ω 1/2W J			R1529	NRSA63J-331X	MG R	330Ω 1/16W J	
	R1015	NRSA63J-180X	MG R	18Ω 1/16W J		△	R1531	QRJ146J-391X	C R	390Ω 1/4W J	
	R1016	NRSA63J-270X	MG R	27Ω 1/16W J			R1532	NRSA63J-273X	MG R	27kΩ 1/16W J	
	R1018	NRSA63J-104X	MG R	100kΩ 1/16W J			R1533-34	NRSA63J-123X	MG R	12kΩ 1/16W J	
	R1020	NRSA63J-332X	MG R	3.3kΩ 1/16W J		△	R1535	NRVA02D-222X	MF R	2.2kΩ 1/10W D	
	R1021	NRSA63J-123X	MG R	12kΩ 1/16W J		△	R1537	NRVA02D-752X	MF R	7.5kΩ 1/10W D	
	R1022	NRSA63J-151X	MG R	150Ω 1/16W J			R1538	NRSA63J-333X	MG R	33kΩ 1/16W J	
	R1023	NRSA63J-101X	MG R	100Ω 1/16W J			R1543	QRE121J-122Y	C R	1.2kΩ 1/2W J	
	R1024	NRSA63J-102X	MG R	1kΩ 1/16W J			R1544	QRE121J-392Y	C R	3.9kΩ 1/2W J	
	R1025	NRSA63J-561X	MG R	560Ω 1/16W J			R1545	QRE121J-822Y	C R	8.2kΩ 1/2W J	
	R1026	NRSA63J-331X	MG R	330Ω 1/16W J			R1546	NRSA63J-331X	MG R	330Ω 1/16W J	
	R1028	NRSA63J-821X	MG R	820Ω 1/16W J			R1547	NRSA63J-104X	MG R	100kΩ 1/16W J	
	R1038	NRSA63J-272X	MG R	2.7kΩ 1/16W J			R1548	QRE121J-152Y	C R	1.5kΩ 1/2W J	
	R1041	NRSA63J-272X	MG R	2.7kΩ 1/16W J			R1553	QRL039J-180	OM R	18Ω 3W J	
	R1042-43	NRSA63J-102X	MG R	1kΩ 1/16W J			R1601-03	NRSA63J-750X	MG R	75Ω 1/16W J	
	R1047	NRSA63J-153X	MG R	15kΩ 1/16W J			R1610-12	NRSA63J-0R0X	MG R	0.0Ω 1/16W J	
	R1048	NRSA63J-154X	MG R	150kΩ 1/16W J			R1621	NRSA63J-222X	MG R	2.2kΩ 1/16W J	
	R1101-02	NRSA63J-101X	MG R	100Ω 1/16W J			R1622	NRSA63J-221X	MG R	220Ω 1/16W J	
	R1111	NRSA63J-105X	MG R	1MΩ 1/16W J			R1623	NRSA63J-222X	MG R	2.2kΩ 1/16W J	
	R1131	NRSA63J-0R0X	MG R	0.0Ω 1/16W J			R1624	NRSA63J-221X	MG R	220Ω 1/16W J	
	R1134	NRSA63J-562X	MG R	5.6kΩ 1/16W J			R1626-27	NRSA63J-223X	MG R	22kΩ 1/16W J	
	R1135-39	NRSA63J-102X	MG R	1kΩ 1/16W J			R1631	NRSA63J-333X	MG R	33kΩ 1/16W J	
	R1140	NRSA63J-562X	MG R	5.6kΩ 1/16W J			R1632	NRSA63J-223X	MG R	22kΩ 1/16W J	
	R1201	NRSA63J-333X	MG R	33kΩ 1/16W J			R1634	NRSA63J-0R0X	MG R	0.0Ω 1/16W J	
	R1231	NRSA63J-0R0X	MG R	0.0Ω 1/16W J			R1700-02	NRSA63J-102X	MG R	1kΩ 1/16W J	
	R1237	NRSA63J-392X	MG R	3.9kΩ 1/16W J			R1704-05	NRSA63J-472X	MG R	4.7kΩ 1/16W J	
	R1238	NRSA63J-473X	MG R	47kΩ 1/16W J			R1706-07	NRSA63J-103X	MG R	10kΩ 1/16W J	
	R1241	NRSA63J-332X	MG R	3.3kΩ 1/16W J			R1708-09	NRSA63J-101X	MG R	100Ω 1/16W J	
	R1243	NRSA63J-152X	MG R	1.5kΩ 1/16W J			R1714	NRSA63J-823X	MG R	82kΩ 1/16W J	
	R1281	NRSA63J-182X	MG R	1.8kΩ 1/16W J			R1715	NRSA63J-103X	MG R	10kΩ 1/16W J	
	R1282	NRSA63J-392X	MG R	3.9kΩ 1/16W J			R1721-22	NRSA63J-102X	MG R	1kΩ 1/16W J	
	R1283	NRSA63J-681X	MG R	680Ω 1/16W J			R1724	NRSA63J-102X	MG R	1kΩ 1/16W J	
	R1286	NRSA63J-472X	MG R	4.7kΩ 1/16W J			R1726	NRSA63J-102X	MG R	1kΩ 1/16W J	
	R1287	NRSA63J-101X	MG R	100Ω 1/16W J			R1728	NRSA63J-102X	MG R	1kΩ 1/16W J	
	R1288	NRSA02J-471X	MG R	470Ω 1/10W J			R1729	NRSA63J-223X	MG R	22kΩ 1/16W J	
	R1289	NRSA63J-154X	MG R	150kΩ 1/16W J			R1731-32	NRSA63J-101X	MG R	100Ω 1/16W J	
	R1290	NRSA02J-561X	MG R	560Ω 1/10W J			R1733-34	NRSA63J-562X	MG R	5.6kΩ 1/16W J	
	R1292	NRSA63J-124X	MG R	120kΩ 1/16W J			R1737	NRSA63J-222X	MG R	2.2kΩ 1/16W J	
	R1293	NRSA63J-224X	MG R	220kΩ 1/16W J			R1738	NRSA63J-102X	MG R	1kΩ 1/16W J	
	R1294	NRSA63J-101X	MG R	100Ω 1/16W J			R1739	NRSA63J-272X	MG R	2.7kΩ 1/16W J	
	R1295	NRSA63J-222X	MG R	2.2kΩ 1/16W J			R1740	NRSA63J-103X	MG R	10kΩ 1/16W J	
	R1301-03	NRSA63J-222X	MG R	2.2kΩ 1/16W J			R1741	NRSA63J-0R0X	MG R	0.0Ω 1/16W J	
	R1304-06	NRSA63J-101X	MG R	100Ω 1/16W J			R1742-43	NRSA63J-103X	MG R	10kΩ 1/16W J	
	R1354-55	NRSA63J-0R0X	MG R	0.0Ω 1/16W J			R1745	NRSA63J-0R0X	MG R	0.0Ω 1/16W J	
	R1356	NRSA63J-123X	MG R	12kΩ 1/16W J			R1749-51	NRSA63J-222X	MG R	2.2kΩ 1/16W J	
	R1359	NRSA63J-103X	MG R	10kΩ 1/16W J			R1752	NRSA63J-102X	MG R	1kΩ 1/16W J	
	R1360	NRSA63J-0R0X	MG R	0.0Ω 1/16W J			R1753	NRSA63J-0R0X	MG R	0.0Ω 1/16W J	
	R1421	NRSA63J-822X	MG R	8.2kΩ 1/16W J			R1754	NRSA63J-102X	MG R	1kΩ 1/16W J	
	R1423-24	NRSA63J-393X	MG R	39kΩ 1/16W J			R1755	NRSA63J-153X	MG R	15kΩ 1/16W J	
	R1426	NRSA63J-183X	MG R	18kΩ 1/16W J			R1756	NRSA63J-103X	MG R	10kΩ 1/16W J	
	R1427	QRT029J-1R5	MF R	1.5Ω 2W J			R1763	NRSA63J-103X	MG R	10kΩ 1/16W J	
	R1429	NRSA63J-272X	MG R	2.7kΩ 1/16W J			R1764-68	NRSA63J-221X	MG R	220Ω 1/16W J	
	R1430	NRSA63J-0R0X	MG R	0.0Ω 1/16W J			R1769	NRSA63J-682X	MG R	6.8kΩ 1/16W J	
	R1431	NRSA63J-152X	MG R	1.5kΩ 1/16W J			R1772	NRSA63J-103X	MG R	10kΩ 1/16W J	
	R1432	NRSA63J-101X	MG R	100Ω 1/16W J			R1775	NRSA63J-473X	MG R	47kΩ 1/16W J	
	R1433	NRSA63J-681X	MG R	680Ω 1/16W J			R1776	NRSA63J-103X	MG R	10kΩ 1/16W J	
	R1434	QRL029J-181	OM R	180Ω 2W J			R1793-95	NRSA63J-331X	MG R	330Ω 1/16W J	
	R1435	QRE121J-102Y	C R	1kΩ 1/2W J			R1798-99	NRSA63J-103X	MG R	10kΩ 1/16W J	
	R1441-42	NRSA63J-0R0X	MG R	0.0Ω 1/16W J			R1800	NRSA63J-102X	MG R	1kΩ 1/16W J	
	R1444	NRSA63J-183X	MG R	18kΩ 1/16W J			R1806	NRSA63J-0R0X	MG R	0.0Ω 1/16W J	
	R1445	NRSA63J-103X	MG R	10kΩ 1/16W J			R1807	NRSA63J-222X	MG R	2.2kΩ 1/16W J	
	R1501	NRSA63J-0R0X	MG R	0.0Ω 1/16W J			R1810	NRSA63J-0R0X	MG R	0.0Ω 1/16W J	
	R1502	NRSA63J-271X	MG R	270Ω 1/16W J			R1811	NRSA63J-473X	MG R	47kΩ 1/16W J	
	R1503	QRE121J-103Y	C R	10kΩ 1/2W J			R1812	NRSA63J-102X	MG R	1kΩ 1/16W J	
	R1504	QRL039J-102	OM R	1kΩ 3W J			R1814	NRSA63J-104X	MG R	100kΩ 1/16W J	
	R1505	QRL039J-821	OM R	820Ω 3W J			R1815	NRSA63J-154X	MG R	150kΩ 1/16W J	

△ Symbol No.	Part No.	Part Name	Description	Local
RESISTOR				
R1816	NRSA63J-0R0X	MG R	0.0Ω 1/16W J	
R1817	NRSA63J-104X	MG R	100kΩ 1/16W J	
R1818	NRSA63J-0R0X	MG R	0.0Ω 1/16W J	
R1821	NRSA63J-104X	MG R	100kΩ 1/16W J	
R1822	NRSA63J-124X	MG R	120kΩ 1/16W J	
R1824	NRSA63J-103X	MG R	10kΩ 1/16W J	
R1827	NRSA63J-102X	MG R	1kΩ 1/16W J	
R1856	QRX039J-6R8	MF R	6.8Ω 3W J	
△ R1857	QRL029J-270	OM R	27Ω 2W J	
△ R1858	QRL029J-180	OM R	18Ω 2W J	
△ R1901	QRF074K-R47	UNF R	0.47Ω 7W K	
△ R1909	QRG01GJ-470	OM R	47Ω 1W J	
R1911	QRE121J-223Y	C R	22kΩ 1/2W J	
R1912-13	QRT029J-R22	MF R	0.22Ω 2W J	
R1914	QRK126J-681X	C R	680Ω 1/2W J	
R1915	QRE121J-6R8Y	C R	6.8Ω 1/2W J	
△ R1917	QRK126J-332X	C R	3.3kΩ 1/2W J	
R1918	QRE121J-222Y	C R	2.2kΩ 1/2W J	
R1919	QRE121J-684Y	C R	680kΩ 1/2W J	
R1924	QRE121J-222Y	C R	2.2kΩ 1/2W J	
R1930	QRE121J-223Y	C R	22kΩ 1/2W J	
R1939	QRT039J-2R2	MF R	2.2Ω 3W J	
R1940	QRE121J-181Y	C R	180Ω 1/2W J	
R1941	QRL029J-183	OM R	18kΩ 2W J	
R1951	NRSA63J-473X	MG R	47kΩ 1/16W J	
R1952	NRSA63J-102X	MG R	1kΩ 1/16W J	
R1953	QRE121J-820Y	C R	82Ω 1/2W J	
R1973	QRE121J-272Y	C R	2.7kΩ 1/2W J	
R1975	QRE121J-223Y	C R	22kΩ 1/2W J	
R1977	QRE121J-473Y	C R	47kΩ 1/2W J	
R1978	NRSA63J-333X	MG R	33kΩ 1/16W J	
R1979-80	QRT029J-1R2	MF R	1.2Ω 2W J	
△ R1998	QRZ904I-275	C R	2.7MΩ 1/2W K	
R1999	QRE121J-121Y	C R	120Ω 1/2W J	
CAPACITOR				
C1001	QETN1HM-475Z	E CAP.	4.7μF 50V M	
C1002	QETN1HM-106Z	E CAP.	10μF 50V M	
C1003	QETN1CM-108Z	E CAP.	1000μF 16V M	
C1011-12	NCB31HK-103X	C CAP.	0.01μF 50V K	
C1013	NDC31HJ-151X	C CAP.	150pF 50V J	
C1014	QETN1CM-107Z	E CAP.	100μF 16V M	
C1015-16	NCB31HK-103X	C CAP.	0.01μF 50V K	
C1021	QFV71HJ-824Z	MF CAP.	0.82μF 50V J	
C1023	QETN1CM-107Z	E CAP.	100μF 16V M	
C1024	NCB31HK-103X	C CAP.	0.01μF 50V K	
C1025	NCB31HK-102X	C CAP.	1000pF 50V K	
C1026	QETN1HM-474Z	E CAP.	0.47μF 50V M	
C1027	NCB21HK-104X	C CAP.	0.1μF 50V K	
C1028	QETN1HM-106Z	E CAP.	10μF 50V M	
C1030	NCB31HK-103X	C CAP.	0.01μF 50V K	
C1034	NCB31HK-103X	C CAP.	0.01μF 50V K	
C1036	QETN1AM-477Z	E CAP.	470μF 10V M	
C1037	NCB31HK-103X	C CAP.	0.01μF 50V K	
C1038	QETN1CM-107Z	E CAP.	100μF 16V M	
C1041-42	QETN1HM-106Z	E CAP.	10μF 50V M	
C1043-44	NDC31HJ-470X	C CAP.	47pF 50V J	
C1045	QETN1HM-106Z	E CAP.	10μF 50V M	
C1046	NCB31HK-103X	C CAP.	0.01μF 50V K	
C1047	NDC21HJ-330X	C CAP.	33pF 50V J	
C1048	NCB31HK-103X	C CAP.	0.01μF 50V K	
C1111	QETN0JM-228Z	E CAP.	2200μF 6.3V M	
C1112	NCB31HK-103X	C CAP.	0.01μF 50V K	
C1113	QETN1HM-474Z	E CAP.	0.47μF 50V M	
C1114	QETN1HM-105Z	E CAP.	1μF 50V M	
C1115	QFV71HJ-104Z	MF CAP.	0.1μF 50V J	
C1116	NCB31EK-104X	C CAP.	0.1μF 25V K	
C1134	NDC31HJ-470X	C CAP.	47pF 50V J	
C1135	NDC31HJ-330X	C CAP.	33pF 50V J	
C1136	QENC1CM-106Z	E CAP.	10μF 16V M	
C1151	NCB31HK-103X	C CAP.	0.01μF 50V K	

△ Symbol No.	Part No.	Part Name	Description	Local
CAPACITOR				
C1201	NDC31HJ-100X	C CAP.	10pF 50V J	
C1202	QETN1HM-224Z	E CAP.	0.22μF 50V M	
C1203	NCB31HK-222X	C CAP.	2200pF 50V K	
C1233	NDC31HJ-560X	C CAP.	56pF 50V J	
C1237	NCB31HK-103X	C CAP.	0.01μF 50V K	
C1281	QFV71HJ-474Z	MF CAP.	0.47μF 50V J	
C1282	QETN1CM-227Z	E CAP.	220μF 16V M	
C1283	NCB31HK-103X	C CAP.	0.01μF 50V K	
C1284	QETN1HM-225Z	E CAP.	2.2μF 50V M	
C1285	NCB31HK-103X	C CAP.	0.01μF 50V K	
C1286	QETN1HM-106Z	E CAP.	10μF 50V M	
C1287	QETN1CM-107Z	E CAP.	100μF 16V M	
C1288	NCB31HK-103X	C CAP.	0.01μF 50V K	
C1352	QETN1CM-336Z	E CAP.	33μF 16V M	
C1354	QFV71HJ-154Z	MF CAP.	0.15μF 50V J	
C1391	QETN1CM-107Z	E CAP.	100μF 16V M	
C1392	NCB31HK-103X	C CAP.	0.01μF 50V K	
C1393-95	NCB31EK-104X	C CAP.	0.1μF 25V K	
C1421	NCB21HK-102X	C CAP.	1000pF 50V K	
C1422	QFLC1HJ-103Z	M CAP.	0.01μF 50V J	
C1424	QETN1VM-107Z	E CAP.	100μF 35V M	
C1425	QETN1VM-477Z	E CAP.	470μF 35V M	
C1427	QETN1HM-105Z	E CAP.	1μF 50V M	
C1428	QETM1EM-228	E CAP.	2200μF 25V M	
C1430	NCB21CK-474X	C CAP.	0.47μF 16V K	
C1431	QFLC2AK-563Z	M CAP.	0.056μF 100V K	
C1433	QETN1EM-476Z	E CAP.	47μF 25V M	
C1434	NDC21HJ-100X	C CAP.	10pF 50V J	
C1435	NCB21HK-183X	C CAP.	0.018μF 50V K	
C1501	QCB32HK-151Z	C CAP.	150pF 500V K	
△ C1502	QCB32HK-331Z	C CAP.	330pF 500V K	
C1503	QEHR2CM-105Z	E CAP.	1μF 160V M	
C1504	QEZ0203-107	E CAP.	100μF 160V M	
C1507-08	QEM61HK-475Z	E CAP.	4.7μF 50V K	
△ C1510	QFZ0196-602	MPP CAP.	6000pF 1.5kVH ±3%	
△ C1513	QFZ0198-133	MPP CAP.	0.013μF 1.5kVH ±3%	
△ C1514	QFP32GJ-183	PP CAP.	0.018μF 400V J	
△ C1515	QFZ0197-754	MPP CAP.	0.75μF 250V Z	
C1516	QCB32HK-561Z	C CAP.	560pF 500V K	
C1521	QETN2EM-106Z	E CAP.	10μF 250V M	
C1523	QEHR1EM-108Z	E CAP.	1000μF 25V M	
C1525	QETN1VM-107Z	E CAP.	100μF 35V M	
C1526	QFV21HJ-824Z	MF CAP.	0.82μF 50V J	
C1527	QFLC2AJ-103Z	M CAP.	0.01μF 100V J	
C1531	QCB32HK-102Z	C CAP.	1000pF 500V K	
C1533	QETN1HM-106Z	E CAP.	10μF 50V M	
C1601-03	QETN1EM-476Z	E CAP.	47μF 25V M	
C1609-11	QFV71HJ-104Z	MF CAP.	0.1μF 50V J	
C1621	NCB31HK-102X	C CAP.	1000pF 50V K	
C1622	NCF21CZ-105X	C CAP.	1μF 16V Z	
C1623	NCB31HK-102X	C CAP.	1000pF 50V K	
C1624	NCF21CZ-105X	C CAP.	1μF 16V Z	
C1625	QETN1CM-107Z	E CAP.	100μF 16V M	
C1626	QETN1EM-108Z	E CAP.	1000μF 25V M	
C1627	QETN1HM-474Z	E CAP.	0.47μF 50V M	
C1628-29	QETN1EM-108Z	E CAP.	1000μF 25V M	
C1634	QETN1HM-106Z	E CAP.	10μF 50V M	
C1700	NCB31HK-102X	C CAP.	1000pF 50V K	
C1702	NCB31EK-104X	C CAP.	0.1μF 25V K	
C1703	NDC31HJ-181X	C CAP.	180pF 50V J	
C1706	QETN1HM-105Z	E CAP.	1μF 50V M	
C1707	QETN1CM-107Z	E CAP.	100μF 16V M	
C1710	NCB21EK-683X	C CAP.	0.068μF 25V K	
C1721	NCB31HK-103X	C CAP.	0.01μF 50V K	
C1722-23	NDC31HJ-390X	C CAP.	39pF 50V J	
C1724	NDC31HJ-471X	C CAP.	470pF 50V J	
C1726	NDC21HJ-561X	C CAP.	560pF 50V J	
C1728	NCB31HK-103X	C CAP.	0.01μF 50V K	
C1800	QETN1EM-107Z	E CAP.	100μF 25V M	
C1801	NCB31EK-104X	C CAP.	0.1μF 25V K	
C1802	QETN1CM-107Z	E CAP.	100μF 16V M	
C1804	NCB31HK-103X	C CAP.	0.01μF 50V K	

△	Symbol No.	Part No.	Part Name	Description	Local	△	Symbol No.	Part No.	Part Name	Description	Local
CAPACITOR						DIODE					
	C1807	QETN1HM-106Z	E CAP.	10μF 50V	M		D1421	1N4003-T2	SI.DIODE		
	C1810	QENC1HM-474Z	BP E CAP.	0.47μF 50V	M		D1422	MTZJ75-T2	ZENER DIODE		
	C1811	QENC1HM-105Z	E CAP.	1μF 50V	M		D1424	1SS133-T2	SI.DIODE		
	C1812-13	NCB31HK-102X	C CAP.	1000pF 50V	K		D1501	RH3G-F1	SI.DIODE		
	C1816	NCB31HK-153X	C CAP.	0.015μF 50V	K		△ D1502	RU3AM-LFC4	SI.DIODE		
	C1853-54	QETN1CM-107Z	E CAP.	100μF 16V	M		D1521	RH1S-T3	SI.DIODE		
	C1856-57	QETN1CM-107Z	E CAP.	100μF 16V	M		△ D1523	RGP10J-5025-T3	SI.DIODE		
△	C1901	QFZ9067-104	MM CAP.	0.1μF			D1525-26	1SS81-T5	SI.DIODE		
△	C1902	QFZ9067-473	MM CAP.	0.047μF			D1526	1SS81-T5	SI.DIODE		
△	C1904-06	QCZ9054-102	C CAP.	1000pF AC250V	Z		D1527	1SR124-400A-T2	SI.DIODE		
△	C1907	QEZO169-477	E CAP.	470μF 200V	M		D1529	MTZJ5.1C-T2	ZENER DIODE		
△	C1908	QCZ9054-102	C CAP.	1000pF AC250V	Z		△ D1531	MA4068N/Z1/-T2	ZENER DIODE		
	C1912	QCZ0340-222	C CAP.	2200pF			D1535	1SS133-T2	SI.DIODE		
	C1913	QFLC1HJ-471Z	M CAP.	470pF 50V	J		D1537	1SR35-400A-T2	SI.DIODE		
	C1914	QETN1HM-107Z	E CAP.	100μF 50V	M		D1601	MTZJ9.1C-T2	ZENER DIODE		
	C1916	NDC31HJ-331X	C CAP.	330pF 50V	J		D1603	MTZJ9.1C-T2	ZENER DIODE		
	C1917	NCB31HK-182X	C CAP.	1800pF 50V	K		D1606	MTZJ9.1C-T2	ZENER DIODE		
	C1918	NCB21HK-104X	C CAP.	0.1μF 50V	K		D1700	MTZJ5.6B-T2	ZENER DIODE		
	C1919	QFP32GJ-103	PP CAP.	0.01μF 400V	J		D1701	1SS133-T2	SI.DIODE		
	C1931	QEZO203-107	E CAP.	100μF 160V	M		D1703-04	MTZJ5.6B-T2	ZENER DIODE		
	C1933	QETN1CM-108Z	E CAP.	1000μF 16V	M		D1716	1SS133-T2	SI.DIODE		
	C1934	NDC31HJ-221X	C CAP.	220pF 50V	J		D1721-22	1SS133-T2	SI.DIODE		
	C1935	QETN1EM-108Z	E CAP.	1000μF 25V	M		D1723-24	MTZJ5.6B-T2	ZENER DIODE		
	C1937	QCZ0340-102	C CAP.	1000pF			D1801	1SS133-T2	SI.DIODE		
	C1938	QETN1CM-477Z	E CAP.	470μF 16V	M		D1810	MTZJ5.6B-T2	ZENER DIODE		
	C1939	QCB32HK-152Z	C CAP.	1500pF 500V	K		D1811	1SS133-T2	SI.DIODE		
	C1941	QCB32HK-102Z	C CAP.	1000pF 500V	K		△ D1901	GSIB460-S1	BRIDGE DIODE		
	C1942	QEHR1HM-105Z	E CAP.	1μF 50V	M		D1910	MA700A-T2	SI.DIODE		
	C1951	QETN1EM-477Z	E CAP.	470μF 25V	M		△ D1911-13	RGP10J-5025-T3	SI.DIODE		
	C1952	QETN1CM-227Z	E CAP.	220μF 16V	M		D1914	1SS133-T2	SI.DIODE		
	C1971	QETN1CM-107Z	E CAP.	100μF 16V	M		D1915	SARS01-T2	SI.DIODE		
	C1972	QETN1EM-476Z	E CAP.	47μF 25V	M		D1917	MTZJ30A-T2	ZENER DIODE		
	C1973	QETN1HM-106Z	E CAP.	10μF 50V	M		D1918	MTZJ5.1C-T2	ZENER DIODE		
△	C1997	QCZ9052-102	C CAP.	1000pF AC125V	K		D1920	1SS133-T2	SI.DIODE		
△	C1998-99	QCZ9074-103	C CAP.	0.01μF AC125V	M		D1931	RU30A-F1	SI.DIODE		
							D1933	RU3YX-LFC4	SI.DIODE		
							D1935	RU3YX-LFC4	SI.DIODE		
							D1941	MTZJ33A-T2	ZENER DIODE		
							D1945	MTZJ9.1B-T2	ZENER DIODE		
							D1952-53	1SS133-T2	SI.DIODE		
							D1954-57	1SR35-400A-T2	SI.DIODE		
							D1972	MTZJ15C-T2	ZENER DIODE		
							D1973	1SS133-T2	SI.DIODE		
TRANSFORMER						TRANSISTOR					
	T1501	CE42034-002	H.DRIVE TRANSF.				Q1011	2SC5083/L-P/-T	SI.TRANSISTOR		
△	T1502	QQH0100-001	FBT				Q1021	2SC2412K/QR/-X	SI.TRANSISTOR		
△	T1921	QQS0118-001	SW TRANSF				Q1024	2SC2412K/QR/-X	SI.TRANSISTOR		
△	T1951	QQT0355-001	POWER TRANSF				Q1025	2SA1037AK/QR/-X	SI.TRANSISTOR		
COIL							Q1041	2SA1037AK/QR/-X	SI.TRANSISTOR		
△	L1001	QQL244K-560Z	COIL	56μH	K		Q1131-33	2SC2412K/QR/-X	SI.TRANSISTOR		
	L1012	QQLZ014-R39	COIL	0.39μH			Q1150	2SA1037AK/QR/-X	SI.TRANSISTOR		
	L1021	QRN143J-0R0X	C R	0.0Ω	1/4W	J	Q1232-33	2SC2412K/QR/-X	SI.TRANSISTOR		
	L1022	QQL244K-220Z	COIL	22μH		K		Q1352	2SC2412K/QR/-X	SI.TRANSISTOR	
	L1027	QRN143J-0R0X	C R	0.0Ω	1/4W	J		Q1431	UN2212-X	DEGI.TRANSISTOR	
	L1041	QRN143J-0R0X	C R	0.0Ω	1/4W	J		Q1501	2SC4212/Z1/	SI.TRANSISTOR	
	L1042	QQL244K-220Z	COIL	22μH		K		Q1511	2SD2645-YD	TRANSISTOR	
	L1101	QQL244K-470Z	COIL	47μH		K	△	Q1511	2SD2645-YD	TRANSISTOR	
	L1232	QQL244K-560Z	COIL	56μH		K		Q1531	2SC2785/JH/-T	SI.TRANSISTOR	
△	L1511	QQR1027-003	LINE FILTER					Q1532	2SA1037AK/QR/-X	SI.TRANSISTOR	
	L1512	QQLZ027-821	CHOKE COIL	820μH				Q1541-42	2SA1037AK/QR/-X	SI.TRANSISTOR	
△	L1521	QQLZ018-560	HEATER CHOKE	56μH			△	Q1543	2SD1408/OY/-LB	SI.TRANSISTOR	
	L1700	QQL244K-4R7Z	COIL	4.7μH		K		Q1621	UN2212-X	DEGI.TRANSISTOR	
	L1810	QQL244J-100Z	COIL	10μH		J		Q1622	2SC2412K/QR/-X	SI.TRANSISTOR	
	L1931	QQL26AK-470Z	COIL	47μH		K		Q1623	UN2212-X	DEGI.TRANSISTOR	
	L1933	QQL26AK-470Z	COIL	47μH		K		Q1700	2SC2412K/QR/-X	SI.TRANSISTOR	
	L1940	QQR0582-001Z	BEADS CORE					Q1701	2SA1037AK/QR/-X	SI.TRANSISTOR	
DIODE							Q1706	2SC2412K/QR/-X	SI.TRANSISTOR		
	D1010	MTZJ9.1C-T2	ZENER DIODE					Q1711	UN2212-X	DEGI.TRANSISTOR	
	D1101-02	MTZJ5.6B-T2	ZENER DIODE					Q1810	UN2213-X	DIGI TRANSISTOR	
	D1305-10	1SS133-T2	SI.DIODE					Q1951	2SD1383K/AB/-X	SI.TRANSISTOR	
	D1352	MTZJ9.1C-T2	ZENER DIODE					Q1971	2SA1208/ST/Z1-T	SI.TRANSISTOR	
	D1353	1SS133-T2	SI.DIODE								

△ Symbol No.	Part No.	Part Name	Description	Local
IC				
IC1101	TB1253AN	I.C(M)		
△ IC1421	LA7841	I.C(MONO-ANA)		
△ IC1621	LA4485	I.C(MONO-ANA)		
△ IC1701	MN1876478JW	I.C(MICRO-COMP)		
IC1702	AT24C04-GC1	I.C(MEMORY-OTH)	(SERVICE)	
IC1703	L78LR05E-MA	I.C(MONO-ANA)		
IC1852	AN7809F	I.C(MONO-ANA)		
IC1853	AN7805F	I.C(MONO-ANA)		
△ IC1911	STR-G6624/F8	I.C(HYBRID)		
△ IC1921	SE135N	I.C(HYBRID)		

OTHERS				
CF1001	QAX0349-001	CERAMIC FILTER		
CF1021	QAX0639-001Z	CERAMIC FILTER		
CF1041	QAX0642-001Z	CERAMIC FILTER		
△ CN10PW	QMPD200-200-JC	POWER CORD		
△ CP1932	ICP-N70-T	C PROTECTOR		
△ CP1936	ICP-N70-T	C PROTECTOR		
△ F1901	QMF51U1-5R0-J8	FUSE		
△ F1905	QMFZ034-5R0Z-J1	FUSE		
△ FC1901	CEMG002-001Z	FUSE CLIP		
△ FR1521	QRK129J-150	C R	15Ω	1/2W J
△ FR1523	QRX029J-3R3	MF R		
△ FR1525	QRZ9017-4R7	F R	4.7Ω	1/4W
J1601	QNN0349-002	PIN JACK		
J1810	QNS0001-001	JACK		
K1401	QQR0621-002Z	BEADS CORE		
K1912	QQR0582-001Z	BEADS CORE		
K1916-18	QQR0582-001Z	BEADS CORE		
K1931-33	QQR0582-001Z	BEADS CORE		
K1935	QQR0582-001Z	BEADS CORE		
K1941	QQR0621-002Z	BEADS CORE		
LC1601-03	QQR1199-001	FILTER		
△ LF1901	QQR0527-003	LINE FILTER		
△ PC1921	TLP421F/D4-GRV	I.C(PH.COUPLER)		
△ RY1951	QSK0085-001	RELAY		
S1421	QSL4A13-C02	LEVER SWITCH		
SF1011	QAX0324-002	SAW FILTER		
△ TH1901	QAD0132-3R0	W-PTC		
△ TU1001	QAU0247-001	TUNER		
△ VA1901	ERZV10V621CS	VARISTOR		
W1106	NRSA63J-0R0X	MG R	0.0Ω	1/16W J
W1213	NRSA63J-0R0X	MG R	0.0Ω	1/16W J
W1265	NRSA63J-0R0X	MG R	0.0Ω	1/16W J
W1311	NRSA63J-0R0X	MG R	0.0Ω	1/16W J
W1331	NRSA63J-0R0X	MG R	0.0Ω	1/16W J
W1442-43	NRSA63J-0R0X	MG R	0.0Ω	1/16W J
W1478	NRSA63J-0R0X	MG R	0.0Ω	1/16W J
W1548-49	NRSA63J-0R0X	MG R	0.0Ω	1/16W J
W1567	NRSA63J-0R0X	MG R	0.0Ω	1/16W J
W1572	NRSA63J-0R0X	MG R	0.0Ω	1/16W J
W1579	NRSA63J-0R0X	MG R	0.0Ω	1/16W J
W1581	NRSA63J-0R0X	MG R	0.0Ω	1/16W J
W1609	NRSA63J-0R0X	MG R	0.0Ω	1/16W J
W1628	NRSA63J-0R0X	MG R	0.0Ω	1/16W J
W1636	NRSA63J-0R0X	MG R	0.0Ω	1/16W J
W1653	NRSA63J-0R0X	MG R	0.0Ω	1/16W J
W1666	NRSA63J-0R0X	MG R	0.0Ω	1/16W J
W1710	NRSA63J-0R0X	MG R	0.0Ω	1/16W J
W1716	NRSA63J-0R0X	MG R	0.0Ω	1/16W J
W1729	NRSA63J-0R0X	MG R	0.0Ω	1/16W J
W1746	NRSA63J-0R0X	MG R	0.0Ω	1/16W J
W1762	NRSA63J-0R0X	MG R	0.0Ω	1/16W J
W1764	NRSA63J-0R0X	MG R	0.0Ω	1/16W J
W1766	NRSA63J-0R0X	MG R	0.0Ω	1/16W J
W1773	NRSA63J-0R0X	MG R	0.0Ω	1/16W J
W1776	NRSA63J-0R0X	MG R	0.0Ω	1/16W J
W1784	NRSA63J-0R0X	MG R	0.0Ω	1/16W J
W1795	NRSA63J-0R0X	MG R	0.0Ω	1/16W J
W1797-98	NRSA63J-0R0X	MG R	0.0Ω	1/16W J
W1804	NRSA63J-0R0X	MG R	0.0Ω	1/16W J

△ Symbol No.	Part No.	Part Name	Description	Local
OTHERS				
W1819-21	NRSA63J-0R0X	MG R	0.0Ω	1/16W J
X1201	CE40668-001Z	CRYSTAL		
X1700	QAX0307-001	CER.RESONATOR		
Y1002-03	NRSA63J-0R0X	MG R	0.0Ω	1/16W J
Y1800	NRSA63J-0R0X	MG R	0.0Ω	1/16W J
Y1903	NRSA63J-0R0X	MG R	0.0Ω	1/16W J

CRT SOCKET PW BOARD ASS'Y(SGC-3003A-M2)

△ Symbol No.	Part No.	Part Name	Description	Local
Parts list is the same as for AV-32D202/AG. Refer to page 45.				

FRONT CONTROL PW BOARD ASS'Y(SGC-8501A-M2)

△ Symbol No.	Part No.	Part Name	Description	Local
Parts list is the same as for AV-32D202/AG. Refer to pages 45 - 46.				

FRONT AV INPUT PW BOARD ASS'Y(SGC-8601A-M2)

△ Symbol No.	Part No.	Part Name	Description	Local
Parts list is the same as for AV-32D202/AG. Refer to page 46.				

PIP PW BOARD ASS'Y(SGC0P001A-M2)

△ Symbol No.	Part No.	Part Name	Description	Local
RESISTOR				
R0001-02	NRSA63J-103X	MG R	10kΩ	1/16W J
R0003-04	NRSA63J-101X	MG R	100Ω	1/16W J
R0005	NRSA63J-0R0X	MG R	0.0Ω	1/16W J
R0008	NRSA63J-820X	MG R	82Ω	1/16W J
R0101	NRSA63J-562X	MG R	5.6kΩ	1/16W J
R0102	NRSA63J-182X	MG R	1.8kΩ	1/16W J
R0103	QRE121J-101Y	C R	100Ω	1/2W J
R0104	NRSA63J-180X	MG R	18Ω	1/16W J
R0105	NRSA63J-270X	MG R	27Ω	1/16W J
R0111	NRSA63J-224X	MG R	220kΩ	1/16W J
R0113	NRSA63J-101X	MG R	100Ω	1/16W J
R0114	NRSA63J-331X	MG R	330Ω	1/16W J
R0115	NRSA63J-101X	MG R	100Ω	1/16W J
R0116	NRSA63J-680X	MG R	68Ω	1/16W J
R0117	NRSA63J-273X	MG R	27kΩ	1/16W J
R0118	NRSA63J-223X	MG R	22kΩ	1/16W J
R0120	NRSA63J-273X	MG R	27kΩ	1/16W J
R0121	NRSA63J-103X	MG R	10kΩ	1/16W J
R0131	NRSA63J-102X	MG R	1kΩ	1/16W J
R0132	NRSA63J-331X	MG R	330Ω	1/16W J
R0133	NRSA63J-821X	MG R	820Ω	1/16W J
R0134	NRSA63J-561X	MG R	560Ω	1/16W J

△ Symbol No.	Part No.	Part Name	Description	Local
RESISTOR				
R0135	NRSA63J-102X	MG R	1kΩ 1/16W J	
R0161	NRSA63J-332X	MG R	3.3kΩ 1/16W J	
R0163	NRSA63J-223X	MG R	22kΩ 1/16W J	
R0171	NRSA63J-103X	MG R	10kΩ 1/16W J	
R0301	NRSA63J-473X	MG R	47kΩ 1/16W J	
R0303	NRSA63J-222X	MG R	2.2kΩ 1/16W J	
R0304	NRSA63J-473X	MG R	47kΩ 1/16W J	
R0306	NRSA63J-222X	MG R	2.2kΩ 1/16W J	
R0307	NRSA63J-471X	MG R	470Ω 1/16W J	
R0309	NRSA63J-102X	MG R	1kΩ 1/16W J	
R0311	NRSA63J-101X	MG R	100Ω 1/16W J	
R0313	NRSA63J-101X	MG R	100Ω 1/16W J	
R0314	NRSA63J-0R0X	MG R	0.0Ω 1/16W J	
R0316	NRSA63J-331X	MG R	330Ω 1/16W J	
R0317	NRSA63J-0R0X	MG R	0.0Ω 1/16W J	
R0331	NRSA63J-0R0X	MG R	0.0Ω 1/16W J	
R0337	NRSA63J-0R0X	MG R	0.0Ω 1/16W J	
R0343	NRSA63J-0R0X	MG R	0.0Ω 1/16W J	

△ Symbol No.	Part No.	Part Name	Description	Local
CAPACITOR				
C0001	QETN1HM-475Z	E CAP.	4.7μF 50V M	
C0003	QETN1HM-106Z	E CAP.	10μF 50V M	
C0004	QETN1CM-107Z	E CAP.	100μF 16V M	
C0006	QETN1EM-476Z	E CAP.	47μF 25V M	
C0010-11	NDC31HJ-100X	C CAP.	10pF 50V J	
C0101-02	NCB31HK-103X	C CAP.	0.01μF 50V K	
C0104-05	NCB31HK-103X	C CAP.	0.01μF 50V K	
C0106	QETN1EM-476Z	E CAP.	47μF 25V M	
C0107	NCB31HK-103X	C CAP.	0.01μF 50V K	
C0113-14	NCB31HK-103X	C CAP.	0.01μF 50V K	
C0116	QFV71HJ-224Z	MF CAP.	0.22μF 50V J	
C0117	QETN1EM-476Z	E CAP.	47μF 25V M	
C0118	NCB31HK-103X	C CAP.	0.01μF 50V K	
C0119	NDC31HJ-681X	C CAP.	680pF 50V J	
C0120	QETN1HM-474Z	E CAP.	0.47μF 50V M	
C0124	NCB31HK-103X	C CAP.	0.01μF 50V K	
C0131	NCB31HK-103X	C CAP.	0.01μF 50V K	
C0132	NDC31HJ-181X	C CAP.	180pF 50V J	
C0161	QETN1HM-106Z	E CAP.	10μF 50V M	
C0168	NCB31HK-103X	C CAP.	0.01μF 50V K	
C0301-02	NRSA63J-0R0X	MG R	0.0Ω 1/16W J	
C0312-13	NDC31HJ-270X	C CAP.	27pF 50V J	
C0314	QETN1HM-106Z	E CAP.	10μF 50V M	
C0315	NCB31HK-103X	C CAP.	0.01μF 50V K	
C0316-18	NCB31EK-104X	C CAP.	0.1μF 25V K	
C0319	QETN1HM-106Z	E CAP.	10μF 50V M	
C0320	NCB31HK-103X	C CAP.	0.01μF 50V K	
C0321	QETN1HM-105Z	E CAP.	1μF 50V M	
C0322	NCB31HK-103X	C CAP.	0.01μF 50V K	
C0323	QETN1HM-106Z	E CAP.	10μF 50V M	
C0324-25	NCB31HK-103X	C CAP.	0.01μF 50V K	
C0326	NCB31EK-104X	C CAP.	0.1μF 25V K	
C0327	QETN1HM-225Z	E CAP.	2.2μF 50V M	
C0328	NCB31HK-103X	C CAP.	0.01μF 50V K	
C0329	QETN1HM-225Z	E CAP.	2.2μF 50V M	
C0330	NCB31HK-103X	C CAP.	0.01μF 50V K	
C0331	NCB31EK-104X	C CAP.	0.1μF 25V K	

△ Symbol No.	Part No.	Part Name	Description	Local
TRANSFORMER				
T0111	QQR0907-001	I.F.TRANSFORMER		

△ Symbol No.	Part No.	Part Name	Description	Local
COIL				
L0001	QQL244K-560Z	COIL	56μH K	
L0101	QQLZ014-R22	COIL	0.22μH K	
L0113	QQL244K-4R7Z	COIL	4.7μH K	
L0131	QQL244K-150Z	COIL	15μH K	
L0302-04	QQL244J-6R8Z	COIL	6.8μH J	

△ Symbol No.	Part No.	Part Name	Description	Local
DIODE				
D0301	1SS133-T2	SI.DIODE		

△ Symbol No.	Part No.	Part Name	Description	Local
TRANSISTOR				
Q0101	2SC5083/L-P/-T	SI.TRANSISTOR		
Q0131	2SA1037AK/QR/-X	SI.TRANSISTOR		
Q0301-03	2SC2412K/QR/-X	SI.TRANSISTOR		

△ Symbol No.	Part No.	Part Name	Description	Local
IC				
IC0101	M52342SP	I.C(MONO-ANA)		
IC0301	SDA9389X-X	I.C(DIGI-MOS)		

△ Symbol No.	Part No.	Part Name	Description	Local
OTHERS				
CF0131	QAX0639-001Z	CERAMIC FILTER		
SF0101	CE42589-201	SAW FILTER		
△ TU0001	QAU0228-001	TUNER		
W0090-92	NRSA63J-0R0X	MG R	0.0Ω 1/16W J	
X0301	QAX0521-001Z	CRYSTAL		
Y0301-02	NRSA63J-0R0X	MG R	0.0Ω 1/16W J	
Y0331-33	NRSA63J-0R0X	MG R	0.0Ω 1/16W J	

AV SELECTOR PW BOARD ASS'Y(SGC0S001A-M2)

△ Symbol No.	Part No.	Part Name	Description	Local
RESISTOR				
R0081	NRSA63J-102X	MG R	1kΩ 1/16W J	
R0082	NRSA63J-682X	MG R	6.8kΩ 1/16W J	
R0083	NRSA63J-153X	MG R	15kΩ 1/16W J	
R0084	NRSA63J-683X	MG R	68kΩ 1/16W J	
R0085	NRSA63J-332X	MG R	3.3kΩ 1/16W J	
R0086	NRSA63J-333X	MG R	33kΩ 1/16W J	
R0087	NRSA63J-153X	MG R	15kΩ 1/16W J	
R0088	NRSA63J-152X	MG R	1.5kΩ 1/16W J	
R0089	NRSA63J-562X	MG R	5.6kΩ 1/16W J	
R0090	NRSA63J-563X	MG R	56kΩ 1/16W J	
R0151-54	NRSA63J-223X	MG R	22kΩ 1/16W J	
R0155	NRSA63J-0R0X	MG R	0.0Ω 1/16W J	
R0157	NRSA63J-0R0X	MG R	0.0Ω 1/16W J	
R0159	NRSA63J-103X	MG R	10kΩ 1/16W J	
R0210	NRSA63J-0R0X	MG R	0.0Ω 1/16W J	
R0211	NRSA63J-153X	MG R	15kΩ 1/16W J	
R0212	NRSA63J-333X	MG R	33kΩ 1/16W J	
R0213	NRSA63J-102X	MG R	1kΩ 1/16W J	
R0214	NRSA63J-181X	MG R	180Ω 1/16W J	
R0215	NRSA63J-152X	MG R	1.5kΩ 1/16W J	
R0216	NRSA63J-182X	MG R	1.8kΩ 1/16W J	
R0217	NRSA63J-102X	MG R	1kΩ 1/16W J	
R0218	NRSA63J-222X	MG R	2.2kΩ 1/16W J	
R0223	NRSA63J-0R0X	MG R	0.0Ω 1/16W J	
R0229	NRSA63J-473X	MG R	47kΩ 1/16W J	
R0230	NRSA63J-223X	MG R	22kΩ 1/16W J	
R0231	NRSA63J-101X	MG R	100Ω 1/16W J	
R0232	NRSA63J-102X	MG R	1kΩ 1/16W J	
R0233	NRSA63J-272X	MG R	2.7kΩ 1/16W J	
R0234	NRSA63J-102X	MG R	1kΩ 1/16W J	
R0235-36	NRSA63J-101X	MG R	100Ω 1/16W J	
R0238	NRSA63J-822X	MG R	8.2kΩ 1/16W J	
R0239	NRSA63J-123X	MG R	12kΩ 1/16W J	
R0241	NRSA63J-821X	MG R	820Ω 1/16W J	
R0242	NRSA63J-474X	MG R	470kΩ 1/16W J	
R0243-44	NRSA63J-103X	MG R	10kΩ 1/16W J	
R0251	NRSA63J-471X	MG R	470Ω 1/16W J	

AV-32D502

△ Symbol No.	Part No.	Part Name	Description	Local	△ Symbol No.	Part No.	Part Name	Description	Local
RESISTOR					CAPACITOR				
R0253	NRSA63J-681X	MG R	680Ω 1/16W J		C0081	NCB21HK-104X	C CAP.	0.1μF 50V K	
R0254-55	NRSA63J-0R0X	MG R	0.0Ω 1/16W J		C0082	QENC1HM-475Z	BP E CAP.	4.7μF 50V M	
R0258	NRSA63J-101X	MG R	100Ω 1/16W J		C0083	QENC1HM-105Z	E CAP.	1μF 50V M	
R0259	NRSA63J-222X	MG R	2.2kΩ 1/16W J		C0084	QETN1HM-225Z	E CAP.	2.2μF 50V M	
R0261	NRSA63J-101X	MG R	100Ω 1/16W J		C0085	NCB21HK-473X	C CAP.	0.047μF 50V K	
R0262	NRSA63J-222X	MG R	2.2kΩ 1/16W J		C0086	QETN1HM-474Z	E CAP.	0.47μF 50V M	
R0263	NRSA63J-471X	MG R	470Ω 1/16W J		C0087-88	NCB21HK-104X	C CAP.	0.1μF 50V K	
R0265	NRSA63J-102X	MG R	1kΩ 1/16W J		C0089	QETN1HM-335Z	E CAP.	3.3μF 50V M	
R0269-70	NRSA63J-0R0X	MG R	0.0Ω 1/16W J		C0090	QETN1HM-105Z	E CAP.	1μF 50V M	
R0331-34	NRSA63J-101X	MG R	100Ω 1/16W J		C0091	QETN1HM-106Z	E CAP.	10μF 50V M	
R0371-74	NRSA63J-103X	MG R	10kΩ 1/16W J		C0092-93	QETN1HM-105Z	E CAP.	1μF 50V M	
R0375-76	NRSA63J-333X	MG R	33kΩ 1/16W J		C0094	QETN1HM-475Z	E CAP.	4.7μF 50V M	
R0377-78	NRSA63J-472X	MG R	4.7kΩ 1/16W J		C0095	QETN1HM-105Z	E CAP.	1μF 50V M	
R0381	NRSA63J-562X	MG R	5.6kΩ 1/16W J		C0151-52	QENC1HM-105Z	E CAP.	1μF 50V M	
R0382	NRSA63J-223X	MG R	22kΩ 1/16W J		C0153-54	NCB31HK-332X	C CAP.	330pF 50V K	
R0384-87	NRSA63J-223X	MG R	22kΩ 1/16W J		C0155-56	NCB21HK-333X	C CAP.	0.033μF 50V K	
R0391-92	NRSA63J-221X	MG R	220Ω 1/16W J		C0157-58	QETN1HM-106Z	E CAP.	10μF 50V M	
R0393-94	NRSA63J-823X	MG R	82kΩ 1/16W J		C0159	QETN1EM-476Z	E CAP.	47μF 25V M	
R0395-96	NRSA63J-221X	MG R	220Ω 1/16W J		C0160	NCB21HK-104X	C CAP.	0.1μF 50V K	
R0501	NRSA63J-102X	MG R	1kΩ 1/16W J		C0205	QETN1HM-476Z	E CAP.	47μF 50V M	
R0502-03	NRSA63J-820X	MG R	82Ω 1/16W J		C0206	NCB31HK-103X	C CAP.	0.01μF 50V K	
R0504	NRSA63J-750X	MG R	75Ω 1/16W J		C0211	QETN1HM-106Z	E CAP.	10μF 50V M	
R0505	NRSA63J-823X	MG R	82kΩ 1/16W J		C0212	NDC31HJ-101X	C CAP.	100pF 50V J	
R0506	NRSA63J-102X	MG R	1kΩ 1/16W J		C0213	NDC31HJ-470X	C CAP.	47pF 50V J	
R0507	NRSA63J-823X	MG R	82kΩ 1/16W J		C0214	NDC31HJ-181X	C CAP.	180pF 50V J	
R0508-09	NRSA63J-102X	MG R	1kΩ 1/16W J		C0215	QETN1HM-474Z	E CAP.	0.47μF 50V M	
R0510-11	NRSA63J-820X	MG R	82Ω 1/16W J		C0223	NCB31HK-103X	C CAP.	0.01μF 50V K	
R0512	NRSA63J-823X	MG R	82kΩ 1/16W J		C0226	NCB31HK-103X	C CAP.	0.01μF 50V K	
R0513	NRSA63J-102X	MG R	1kΩ 1/16W J		C0231-33	QETN1HM-106Z	E CAP.	10μF 50V M	
R0514	NRSA63J-823X	MG R	82kΩ 1/16W J		C0234	NCB31HK-103X	C CAP.	0.01μF 50V K	
R0515	NRSA63J-102X	MG R	1kΩ 1/16W J		C0235	QETN1HM-106Z	E CAP.	10μF 50V M	
R0521-22	NRSA63J-152X	MG R	1.5kΩ 1/16W J		C0236	NCB31HK-103X	C CAP.	0.01μF 50V K	
R0524-25	NRSA63J-182X	MG R	1.8kΩ 1/16W J		C0237	NCB31HK-472X	C CAP.	4700pF 50V K	
R0526	NRSA63J-103X	MG R	10kΩ 1/16W J		C0238-39	NCB31HK-103X	C CAP.	0.01μF 50V K	
R0527	NRSA63J-273X	MG R	27kΩ 1/16W J		C0241-45	NCB31HK-103X	C CAP.	0.01μF 50V K	
R0528	NRSA63J-183X	MG R	18kΩ 1/16W J		C0246	NDC31HJ-181X	C CAP.	180pF 50V J	
R0529	NRSA63J-562X	MG R	5.6kΩ 1/16W J		C0247-49	NCB31HK-103X	C CAP.	0.01μF 50V K	
R0533-34	NRSA63J-152X	MG R	1.5kΩ 1/16W J		C0251	QETN1HM-476Z	E CAP.	47μF 50V M	
R0536-37	NRSA63J-182X	MG R	1.8kΩ 1/16W J		C0252	NCB31HK-103X	C CAP.	0.01μF 50V K	
R0538	NRSA63J-103X	MG R	10kΩ 1/16W J		C0253	NRSA63J-222X	MG R	2.2kΩ 1/16W J	
R0539	NRSA63J-273X	MG R	27kΩ 1/16W J		C0255	NDC31HJ-390X	C CAP.	39pF 50V J	
R0540	NRSA63J-183X	MG R	18kΩ 1/16W J		C0261	NRSA63J-222X	MG R	2.2kΩ 1/16W J	
R0541	NRSA63J-562X	MG R	5.6kΩ 1/16W J		C0263	NDC31HJ-150X	C CAP.	15pF 50V J	
R0542	NRSA63J-821X	MG R	820Ω 1/16W J		C0331	QETN1CM-107Z	E CAP.	100pF 16V M	
R0543-44	NRSA63J-182X	MG R	1.8kΩ 1/16W J		C0332	NCB31HK-103X	C CAP.	0.01μF 50V K	
R0546	NRSA63J-273X	MG R	27kΩ 1/16W J		C0333	QETN1EM-476Z	E CAP.	47μF 25V M	
R0547	NRSA63J-223X	MG R	22kΩ 1/16W J		C0334	NCB21HK-273X	C CAP.	0.027μF 50V K	
R0548	NRSA63J-222X	MG R	2.2kΩ 1/16W J		C0335	QETN1HM-225Z	E CAP.	2.2μF 50V M	
R0549	NRSA63J-471X	MG R	470Ω 1/16W J		C0336	NCB31HK-222X	C CAP.	2200pF 50V K	
R0550	NRSA63J-0R0X	MG R	0.0Ω 1/16W J		C0337	NCB21HK-104X	C CAP.	0.1μF 50V K	
R0551	NRSA63J-152X	MG R	1.5kΩ 1/16W J		C0338	QETN1HM-225Z	E CAP.	2.2μF 50V M	
R0552	NRSA63J-183X	MG R	18kΩ 1/16W J		C0339	NCB31HK-222X	C CAP.	2200pF 50V K	
R0553	NRSA63J-223X	MG R	22kΩ 1/16W J		C0340	NCB21HK-104X	C CAP.	0.1μF 50V K	
R0554	NRSA63J-183X	MG R	18kΩ 1/16W J		C0343	QETN1HM-105Z	E CAP.	1μF 50V M	
R0555	NRSA63J-223X	MG R	22kΩ 1/16W J		C0371-72	QENC1HM-105Z	E CAP.	1μF 50V M	
R0558	NRSA63J-223X	MG R	22kΩ 1/16W J		C0373	QETN1EM-476Z	E CAP.	47μF 25V M	
R0559	NRSA63J-562X	MG R	5.6kΩ 1/16W J		C0391-92	QETN1HM-474Z	E CAP.	0.47μF 50V M	
R0560	NRSA63J-221X	MG R	220Ω 1/16W J		C0501-03	QETN1HM-106Z	E CAP.	10μF 50V M	
R0561	NRSA63J-222X	MG R	2.2kΩ 1/16W J		C0504-05	QETN1HM-105Z	E CAP.	1μF 50V M	
R0562	NRSA63J-471X	MG R	470Ω 1/16W J		C0506	QETN1EM-476Z	E CAP.	47μF 25V M	
R0565	NRSA63J-223X	MG R	22kΩ 1/16W J		C0507	QENC1CM-106Z	E CAP.	10μF 16V M	
R0566	NRSA63J-0R0X	MG R	0.0Ω 1/16W J		C0508-09	QETN1HM-106Z	E CAP.	10μF 50V M	
R0567	NRSA63J-152X	MG R	1.5kΩ 1/16W J		C0510-11	QENC1CM-106Z	E CAP.	10μF 16V M	
R0568	NRSA63J-183X	MG R	18kΩ 1/16W J		C0512-14	QETN1HM-106Z	E CAP.	10μF 50V M	
R0569	NRSA63J-103X	MG R	10kΩ 1/16W J		C0515-16	QETN1HM-105Z	E CAP.	1μF 50V M	
R0570	NRSA63J-152X	MG R	1.5kΩ 1/16W J		C0518	NCB31HK-103X	C CAP.	0.01μF 50V K	
R0571	NRSA63J-0R0X	MG R	0.0Ω 1/16W J		C0519	QETN1EM-476Z	E CAP.	47μF 25V M	
R0572	NRSA63J-562X	MG R	5.6kΩ 1/16W J		C0520	QETN1HM-106Z	E CAP.	10μF 50V M	
R0574	NRSA63J-471X	MG R	470Ω 1/16W J		C0521-23	QETN1EM-476Z	E CAP.	47μF 25V M	
					C0524	QENC1CM-106Z	E CAP.	10μF 16V M	
					C0527	NCB31HK-103X	C CAP.	0.01μF 50V K	
					C0528	QETN1EM-476Z	E CAP.	47μF 25V M	
					C0531-32	NCB31HK-103X	C CAP.	0.01μF 50V K	

△ Symbol No.	Part No.	Part Name	Description	Local	△ Symbol No.	Part No.	Part Name	Description	Local
COIL					OTHERS				
L0202	QQL244K-150Z	COIL	15μH	K	J0501	QNZ0454-001	PIN JACK		
L0211	QQL244K-4R7Z	COIL	4.7μH	K	J0502	QNZ0531-001	AV JACK		
L0242-43	QQL244K-4R7Z	COIL	4.7μH	K	J0503	QNN0348-001	PIN JACK		
L0261	QQL244K-150Z	COIL	15μH	K	W0060	NRSA63J-0R0X	MG R	0.0Ω 1/16W	J
DIODE					W0105	NRSA63J-0R0X	MG R	0.0Ω 1/16W	J
D0391-92	MTZJ9.1C-T2	ZENER DIODE			W0116	NRSA63J-0R0X	MG R	0.0Ω 1/16W	J
D0501-16	MTZJ9.1C-T2	ZENER DIODE			W0165	NRSA63J-0R0X	MG R	0.0Ω 1/16W	J
TRANSISTOR					W0200-01	NRSA63J-0R0X	MG R	0.0Ω 1/16W	J
Q0211-12	2SC2412K/QR/-X	SI.TRANSISTOR			W0254	NRSA63J-0R0X	MG R	0.0Ω 1/16W	J
Q0218	2SC2412K/QR/-X	SI.TRANSISTOR			W0273	NRSA63J-0R0X	MG R	0.0Ω 1/16W	J
Q0219	2SA1037AK/QR/-X	SI.TRANSISTOR			W0275	NRSA63J-0R0X	MG R	0.0Ω 1/16W	J
Q0251	2SC2412K/QR/-X	SI.TRANSISTOR			W0277-78	NRSA63J-0R0X	MG R	0.0Ω 1/16W	J
Q0253	2SC2412K/QR/-X	SI.TRANSISTOR			W0284-86	NRSA63J-0R0X	MG R	0.0Ω 1/16W	J
Q0261-62	2SC2412K/QR/-X	SI.TRANSISTOR			W0290	NRSA63J-0R0X	MG R	0.0Ω 1/16W	J
Q0381-82	UN2212-X	DEGI.TRANSISTOR			W0292	NRSA63J-0R0X	MG R	0.0Ω 1/16W	J
Q0384-87	DTC323TK-X	DIGI.TRANSISTOR			W0302	NRSA63J-0R0X	MG R	0.0Ω 1/16W	J
Q0501-06	2SC2412K/QR/-X	SI.TRANSISTOR			W0304-06	NRSA63J-0R0X	MG R	0.0Ω 1/16W	J
Q0507	2SA1037AK/QR/-X	SI.TRANSISTOR			W0309	NRSA63J-0R0X	MG R	0.0Ω 1/16W	J
Q0508-09	2SC2412K/QR/-X	SI.TRANSISTOR			W0316	NRSA63J-0R0X	MG R	0.0Ω 1/16W	J
Q0510-13	UN2212-X	DEGI.TRANSISTOR			W0319	NRSA63J-0R0X	MG R	0.0Ω 1/16W	J
IC					Y0501-06	NRSA63J-0R0X	MG R	0.0Ω 1/16W	J
IC0001	UPC1851BCU	I.C.(MONO-ANA)							
IC0151	NJM2150AD	I.C.(MONO-ANA)							
IC0201	TC90A53N	I.C.(DIGI-MOS)							
IC0371	BA15218N	I.C.(MONO-ANA)							
IC0381	TC4066BP/N/	I.C.(DIGI-MOS)							
IC0501	BA7644AN	I.C.(MONO-ANA)							
IC0502	BA7649A	I.C.(MONO-ANA)							
IC0503-04	TC4066BP/N/	I.C.(DIGI-MOS)							

REMOTE CONTROL UNIT PARTS LIST(RM-C301G-2A)

△ Ref.No.	Part No.	Part Name	Description	Local
	UR52EC1286C	BATTERY COVER		

DIFFERENCE PARTS LIST BETWEEN AV-32D502/AG, AV-32D502/AH, AV-32D502/AM AND AV-32D502/AR

The picture tubes used for the models AV-32D502/AG, AV-32D502/AH, AV-32D502/AM and AV-32D502/AR are difference. The electrical parts are also difference according to the PICTURE TUBE.

In the DIFFERENCE PARTS LIST BETWEEN AV-32D502/AG, AV-32D502/AH, AV-32D502/AM and AV-32D502/AR, only difference points between these models are written. For other parts not mentioned in the list, please refer to the PARTS LIST(P51 – P57) for the AV-32D502/AG.

DIFFERENCE PARTS LIST

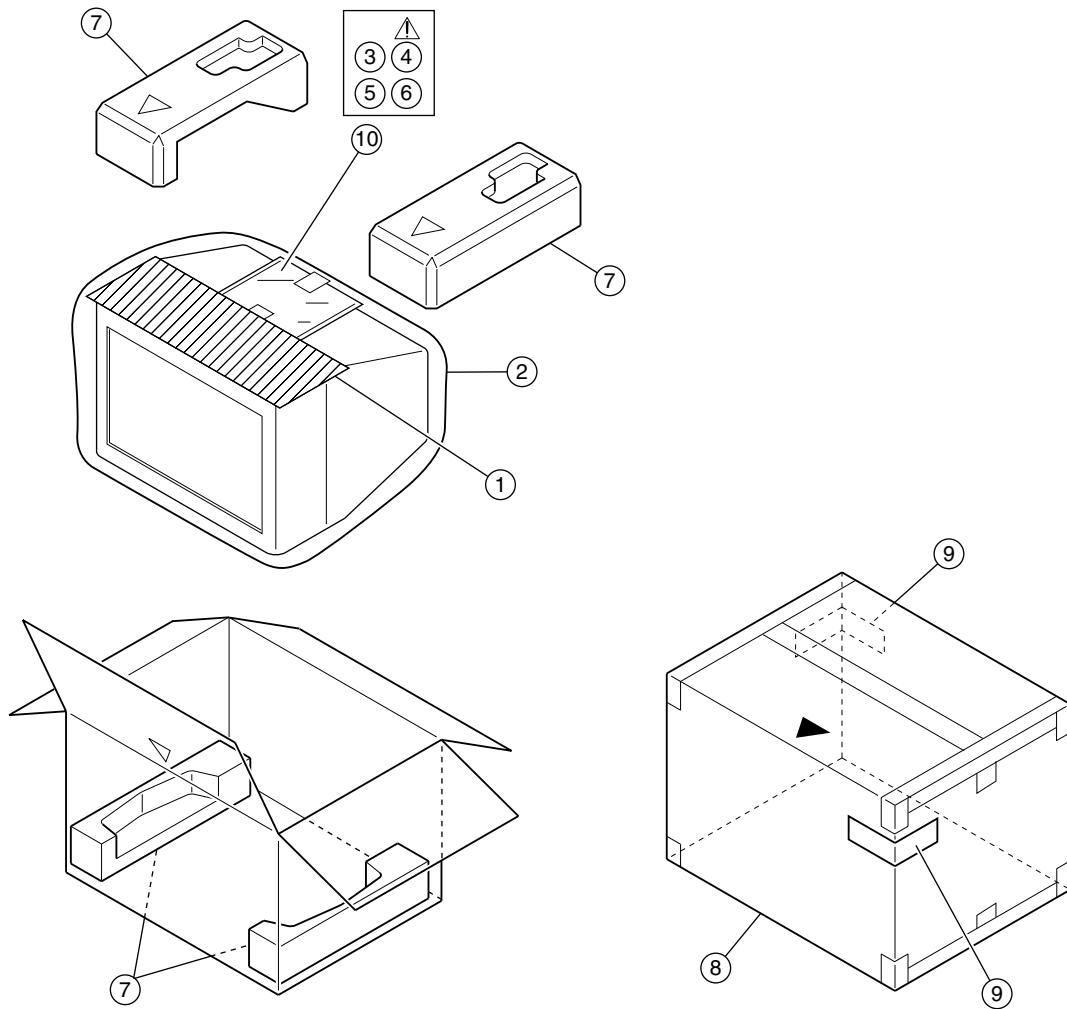
MAIN PWB

△	Symbol No.	Part No.				Part Name
		AV-32D502/AG	AV-32D502/AH	AV-32D502/AM	AV-32D502/AR	
		SGC-1003A-M2	SGC-1004A-M2	SGC-1005A-M2	SGC-1006A-M2	MAIN PWB
	R1434	QRL029J-181 (180Ω, 2W, J)	←	QRL029J-221 (220Ω, 2W, J)	QRL029J-181 (180Ω, 2W, J)	OM R
	R1505	QRL039J-821 (820Ω, 3W, J)	QRL039J-102 (1kΩ, 3W, J)	←	←	OM R
	R1545	QRE121J-822Y (8.2kΩ, 1/2W, J)	←	QRE121J-153Y (15kΩ, 1/2W, J)	QRE121J-822Y (8.2kΩ, 1/2W, J)	C R
	R1553	QRL039J-180 (18Ω, 3W, J)	←	QRL039J-100 (10Ω, 3W, J)	QRL039J-180 (18Ω, 3W, J)	OM R
△	C1510	QFZ0196-602 (6000pF, 1.5kVH, ±3%)	QFZ0196-532 (5300pF, 1.5kVH, ±3%)	←	←	MPP CAP.
△	C1515	QFZ0197-754 (0.75μF, 250V, J)	QFZ0197-564 (0.56μF, 250V, J)	←	←	MPP CAP.
△	L1511	QQR1027-003	←	←	CE41029-00A	LINE FILTER
△	L1521	QQLZ018-560 (56μH)	←	QQLZ026-640 (64μH)	QQLZ026-540 (54μH)	HEATER CHOKE

CRT SOCKET PWB

△	Symbol No.	Part No.				Part Name
		AV-32D502/AG	AV-32D502/AH	AV-32D502/AM	AV-32D502/AR	
		SGC-3003A-M2	SGC-3004A-M2	SGC-3005A-M2	SGC-3011A-M2	CRT SOCKET PWB

PACKING



PACKING PARTS LIST

△ Ref.No.	Part No.	Part Name	Description	Local
1	CP30055-A02-A	TOP COVER		
2	CP30056-004-A	POLY BAG		
3	RM-C303G-1A	RC HAND UNIT	(AV-32D202, AV-32D302)	
3	RM-C301G-2A	RC HAND UNIT	(AV-32D502)	
△ 4	LCT0903-001B-A	INST BOOK		
5	BT-51028-1Q	REGIST CARD	(AV-32D202 /AH & AR, AV-32D302 /AH & AR, AV-32D502 /AH & AR)	
5	BT-51020-1Q	REGIST CARD	(AV-32D202 /AG & AM, AV-32D302 /AG & AM, AV-32D502 /AG & AM)	
6	BT-52004-1Q	WARRANTY CARD		
7	LC10365-002A-A	CUSHION ASSY	4pcs in 1set	
8	LC10181-023A-A	PACKING CASE		
9	CM36616-001-A	CORNER LABEL	2pcs in 1set	
10	QPA02503505	POLY BAG		